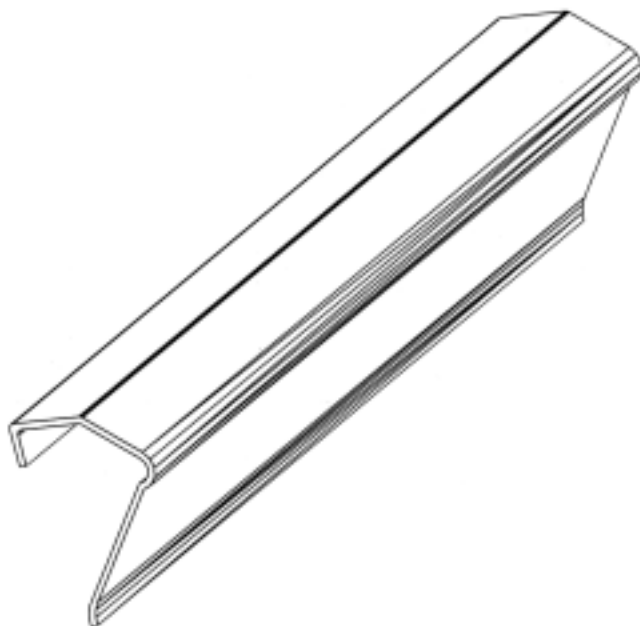


VERSA-CLEAT



DESCRIPTION

Snap-On Cleat

BASIC USE

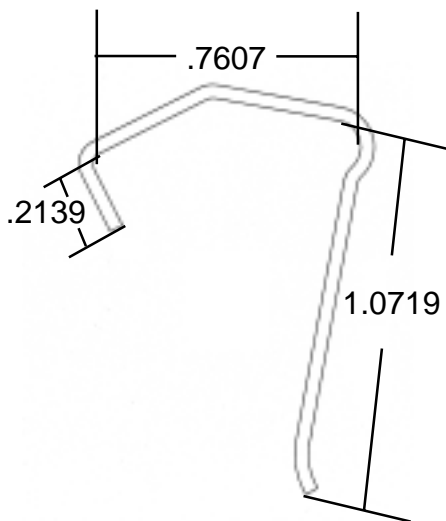
Can be used in conjunction with a variety of TDC connections along with Ductmate 45.

AVAILABLE SIZES

Part No.	Description	Quantity	Linear Feet	Weight
DV6CGA	6" Snap-On TDC Cleat	250 Pcs. / Box	125' / Box	29 lbs./ Box
DV10CGA	10' Snap-On TDC Cleat	10 Lengths	100' / Bundle	23 lbs./ Bundle

AVAILABLE MATERIALS

Galvanized
Galvanneal
PVC Coated
316 Stainless
Aluminized



***All measurements are inside dimensions
Manufactured from 22 Gauge***

MANUFACTURED BY:

DUCTMATE
Industries, Inc.