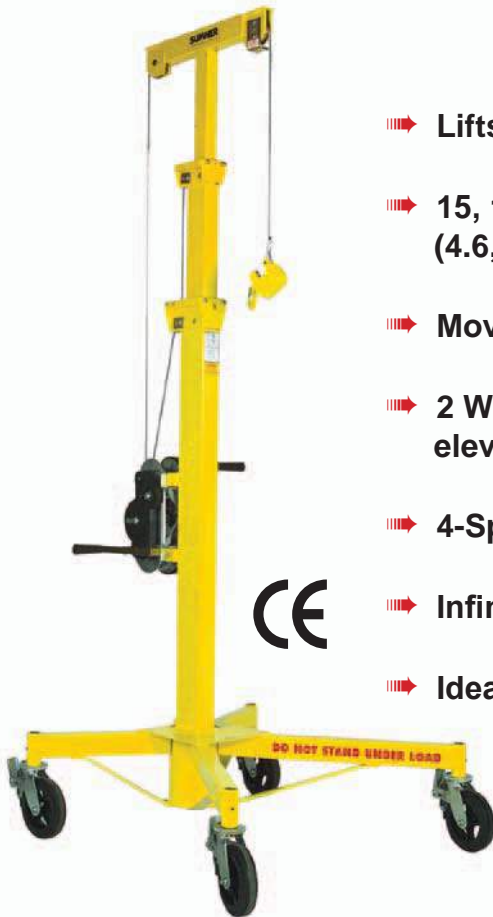


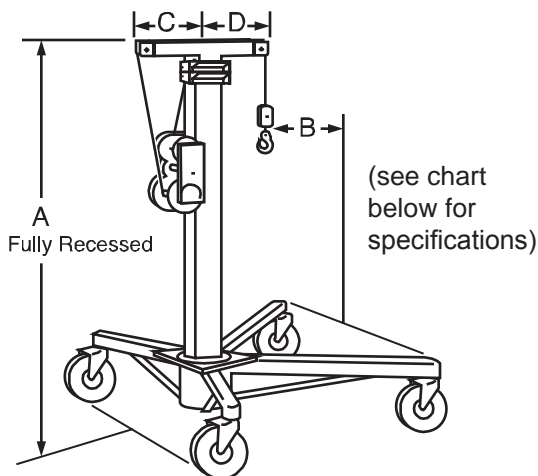
The Versatile Lift That Makes One Man A Crew!



- ▶ Lifts 1,500 lb (680 kg)
- ▶ 15, 18 and 25 foot heights (4.6, 5.5 and 7.6 m)
- ▶ Moves vertically and horizontally
- ▶ 2 Winches: operate load and mast elevation separately
- ▶ 4-Speed Load winches
- ▶ Infinite load height adjustment
- ▶ Ideal for job or shop



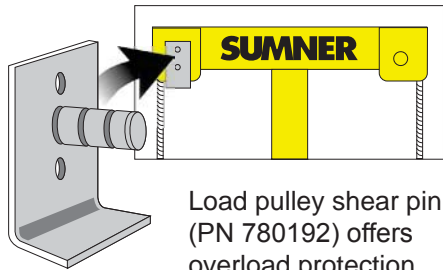
- ▶ Enables one man to perform as a crew – pays for itself in days!
- ▶ Lift and place loads in tight locations impossible for other lifts
- ▶ 8" casters (200 mm) permit full load to be positioned with ease
- ▶ Tee Head Extension available for wider loads up to 1,000 lbs (455 kg)
- ▶ Eliminates the need for come alongs, scaffolds, monorails and swing booms



Mast and base sections separate quickly for ease of transportation and storage.

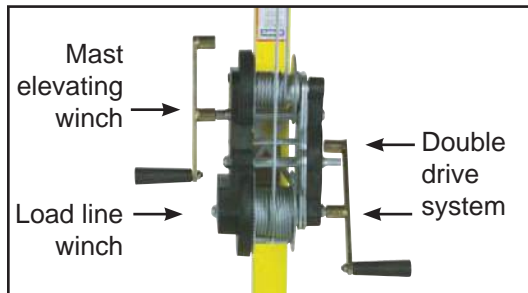
| Part No. | Description | Weight | | A | | B | | C/D | | Base | | Max Height | |
|----------|-----------------------------------|--------|-----|------|-----|------|----|------|----|---------|-----------|-------------|-----|
| | | lb | kg | inch | cm | inch | cm | inch | cm | inch | cm | inch | cm |
| 780300 | R-100 Roust-A-Bout 15' Top Height | 330 | 150 | 79 | 200 | 20 | 50 | 12 | 30 | 32 x 40 | 80 x 100 | 15' 2-1/2" | 4.6 |
| 780301 | R-150 Roust-A-Bout 15' Top Height | 336 | 152 | 79 | 200 | 20 | 50 | 12 | 30 | 40 x 40 | 100 x 100 | 15' 2-1/2" | 4.6 |
| 780302 | R-180 Roust-A-Bout 18' Top Height | 403 | 183 | 126 | 320 | 25 | 63 | 14.5 | 36 | 50 x 50 | 125 x 125 | 17' 11-5/8" | 5.5 |
| 780303 | R-250 Roust-A-Bout 25' Top Height | 493 | 224 | 119 | 302 | 30 | 75 | 17.5 | 44 | 60 x 60 | 150 x 150 | 25' 3/8" | 7.6 |

Roust-A-Bout



Load pulley shear pin (PN 780192) offers overload protection. Each Roust-A-Bout comes with a spare for quick, in-field resetting.

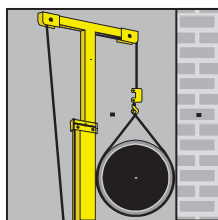
Two Winch System



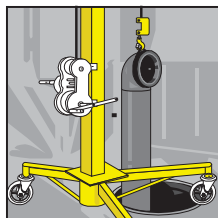
Available in optional galvanized finish!



The Roust-A-Bout Tackles the Tough Jobs:

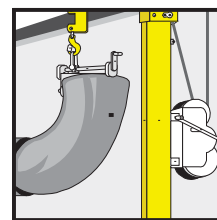


The Roust-A-Bout operates in tight areas that are inaccessible for other lifts.

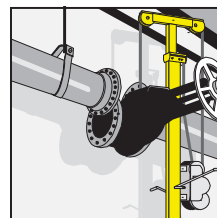


Loads can be lowered below floor level with the Roust-A-Bout's unique design.

Used in combination with Sumner's Adjust-A-Fit, the Roust-A-Bout can maneuver awkward objects for easy placement.



One man can position objects weighing 1,500 lb (680 kg) with infinite accuracy... up to 25 feet above!



Tee-Head Extension Bar

Lift wider loads with the Sumner Roust-A-Bout!

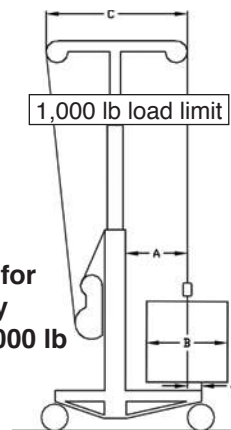


➔ Takes only minutes to attach or detach

| Part No. | Description | Weight | | A | | B | | C | |
|----------|----------------------------------|--------|------|------|----|------|-----|------|-----|
| | | lb | kg | inch | cm | inch | cm | inch | cm |
| 781060 | R-100/150 Tee-Head Extension Bar | 21 | 9.5 | 22 | 55 | 43 | 108 | 48 | 120 |
| 781061 | R-180 Tee-Head Extension Bar | 24 | 11.0 | 29 | 73 | 58 | 145 | 63 | 158 |
| 781062 | R-250 Tee-Head Extension Bar | 33 | 15.0 | 37 | 93 | 73 | 183 | 68 | 173 |

➔ Expands the Roust-A-Bout for handling bulky loads up to 1,000 lb (455 kg)

Caution: Load center is moved to only 4" (10 cm) back of front casters, decreasing stability. Use carefully and only on bulky loads up to 1,000 lb/455 kg.



DISTRIBUTED BY:

SUMNER

Sumner Manufacturing Co, Inc.
www.sumner.com

Sumner - U.S. 7514 Alabonson Road • Houston, TX 77088 • Ph: 281-999-6900 • Fax: 281-999-6966

Sumner - Canada 75 Saltsman Drive, Unit 5 • Cambridge, Ontario N3H 4R7 • Ph: 519-653-5300 • Fax: 519-653-5305

Sumner - Netherlands Midden Engweg 21 • NL-3882TS Putten • The Netherlands • Ph: +31 (0) 85 489 0284 • europeansales@sumner.com

Sumner - U.K. Unit 3 Kempton Road • Keytec 7 Business Park • Pershore, Worcestershire WR10 2TA • Ph: (44) 01386 556278 • Fax: (44) 01386 556776