



FEATURES

- Low pressure/friction loss
- Meets SMACNA gauge requirements
- Airtight 4-ply lock seam construction
- 45° and 90° 1.5 and 1.0 Centerline Elbows from 4" to 18" diameter 26 gauge galvanized construction
- Meets leakage Class 3 for 10" W.G. Duct construction class in a sample test section

BENEFITS

- Sealant is required only where elbows attach to the duct, saving labor time
- Greater structural integrity
- Visual continuity

LEED/SMaRT

- Recyclable material
- Minimal energy during fabrication
- VOC free
- Indefinite service life



Test Results Prove our ECCO Spiral Elbows™ are Tops in their Class!

- Independent test results show leakage rate to be better than SMACNA standard to ± 20 " W.G.
- Independent test results show collapse pressure to be in range below -100" W.G.

See test results on pages 7-9

INNOVATION

Special equipment designed and manufactured by our staff allow us to produce new products for our industry.

KNOWLEDGE

Our research and development staff together with our engineering department have modified and developed equipment, making us an industry leader for more than half a century.

SERVICE

Service is our primary objective! Whether the raw material is coil or finished product, our warehouses are designed to readily access large inventories on hand. Detailed packaging allows for efficient shipping and customer receiving.

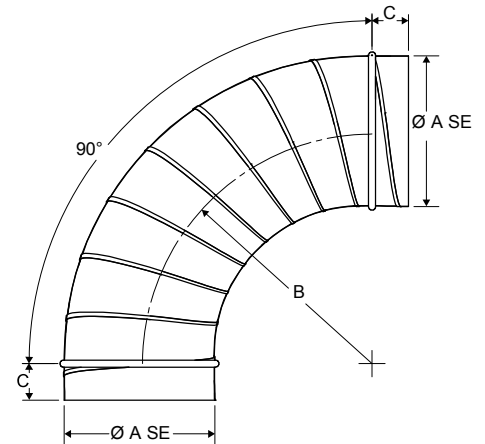
QUALITY

Our people are our quality control! Knowledge of how the product is going to be used enables us to produce quality product to consistently exceed our customers' expectations.

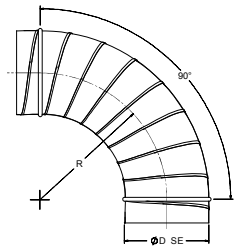
Specifications

90° ECCO Spiral Elbows™ – 26 Gauge – 1-1/2 Centerline Radius

ITEM #	SIZE	A (")	B (")	C (")	PCS/BNDL	WT/100
547824	4" × 90°	4	6	2	1	120
547825	5" × 90°	5	7-1/2	2-3/16	1	181
547826	6" × 90°	6	9	2-3/8	1	256
547827	7" × 90°	7	10-1/2	2-9/16	1	331
547828	8" × 90°	8	12	2-3/4	1	417
547829	9" × 90°	9	13-1/2	2-15/16	1	512
547830	10" × 90°	10	15	3-1/8	1	615
547832	12" × 90°	12	18	3-9/16	1	895
547834	14" × 90°	14	21	3-15/16	1	1177
547836	16" × 90°	16	24	4-5/16	1	1797
547838	18" × 90°	18	27	4-3/4	1	2229

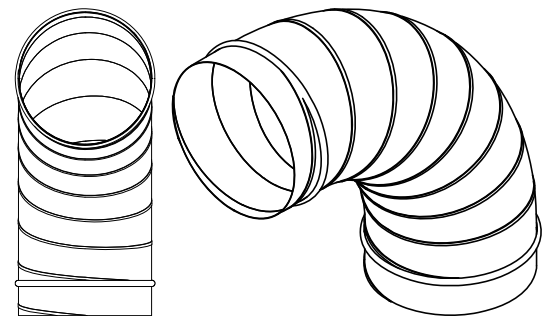


Loss Coefficient (C_l) Comparison



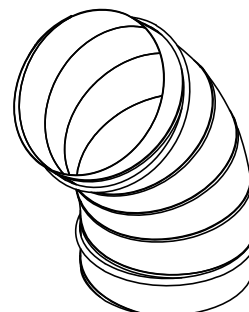
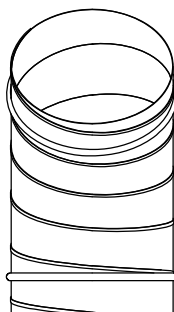
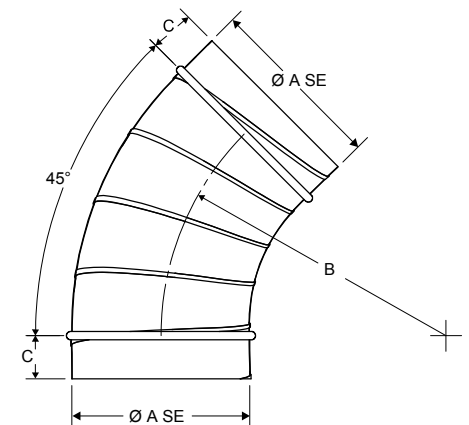
R/D = 1.5		(C _l)
Stamped 90° Elbow		0.15
Spiral 90° Elbow		0.18
5-Gore 90° Elbow		0.24

R = Centerline Radius
D = Diameter



45° ECCO Spiral Elbows™ – 26 Gauge – 1-1/2 Centerline Radius

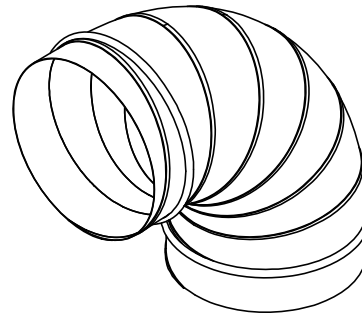
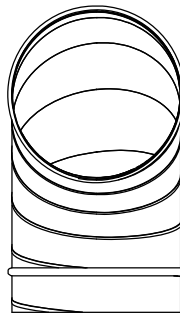
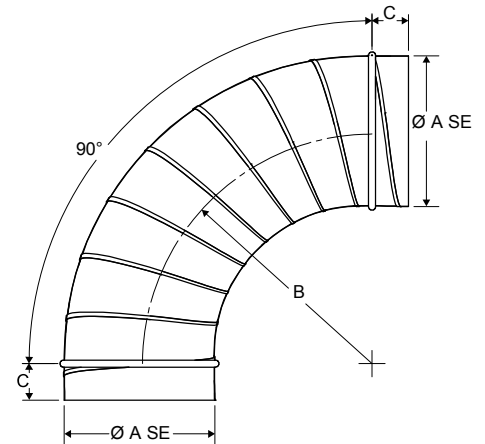
ITEM #	SIZE	A (")	B (")	C (")	PCS/BNDL	WT/100
547844	4" × 45°	4	6	2	1	77
547845	5" × 45°	5	7-1/2	2-3/16	1	115
547846	6" × 45°	6	9	2-3/8	1	160
547847	7" × 45°	7	10-1/2	2-9/16	1	205
547848	8" × 45°	8	12	2-3/4	1	255
547849	9" × 45°	9	13-1/2	2-15/16	1	311
547850	10" × 45°	10	15	3-1/8	1	372
547852	12" × 45°	12	18	3-9/16	1	537
547854	14" × 45°	14	21	3-15/16	1	702
547856	16" × 45°	16	24	4-5/16	1	1066
547858	18" × 45°	18	27	4-3/4	1	1317



Specifications (cont'd)

90° ECCO Spiral Elbows™ – 26 Gauge – 1 Centerline Radius

ITEM #	SIZE	A (")	B (")	C (")	PCS/BNDL	WT/100
547864	4" × 90°	4	4	2	1	102
547865	5" × 90°	5	5	2-3/16	1	144
547866	6" × 90°	6	6	2-3/8	1	192
547867	7" × 90°	7	7	2-9/16	1	247
547868	8" × 90°	8	8	2-3/4	1	309
547869	9" × 90°	9	9	2-15/16	1	413
547870	10" × 90°	10	10	3-1/8	1	492
547872	12" × 90°	12	12	3-9/16	1	670
547874	14" × 90°	14	14	3-15/16	1	878
547876	16" × 90°	16	16	4-5/16	1	1403
547878	18" × 90°	18	18	4-3/4	1	1726



45° ECCO Spiral Elbows™ – 26 Gauge – 1 Centerline Radius

ITEM #	SIZE	A (")	B (")	C (")	PCS/BNDL	WT/100
547884	4" × 45°	4	4	2	1	75
547885	5" × 45°	5	5	2-3/16	1	103
547886	6" × 45°	6	6	2-3/8	1	131
547887	7" × 45°	7	7	2-9/16	1	166
547888	8" × 45°	8	8	2-3/4	1	200
547889	9" × 45°	9	9	2-15/16	1	210
547890	10" × 45°	10	10	3-1/8	1	232
547892	12" × 45°	12	12	3-9/16	1	429
547894	14" × 45°	14	14	3-15/16	1	562
547896	16" × 45°	16	16	4-5/16	1	884
547898	18" × 45°	18	18	4-3/4	1	1070

