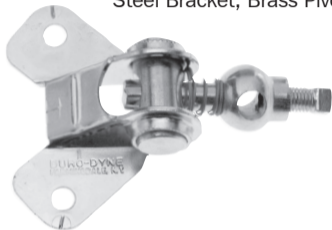


SPLITTER DAMPER BRACKET

Steel Bracket, Brass Pivot

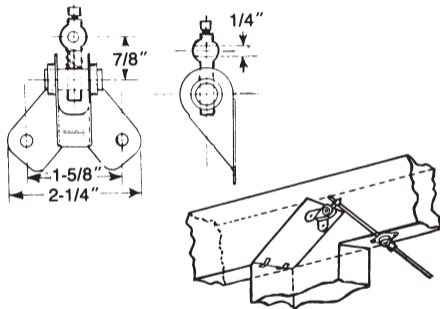


SPLITTER DAMPER

ITEM#	MODEL	SHAFT SIZE
8034	SRP40	1/4"
8035	SRP50	5/16"

Packed 25 Per Carton

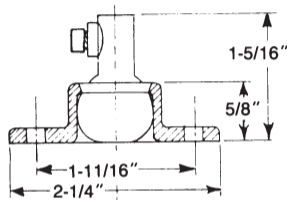
SPLITTER DAMPER HARDWARE



Typical Application Using Ball Joint
and Damper Bracket

BALL JOINT DAMPER CASTING

Cast Alloy



BALL JOINT

ITEM#	MODEL	SHAFT SIZE
8032	SRP14	1/4"
8033	SRP516	5/16"

Packed 25 Per Carton