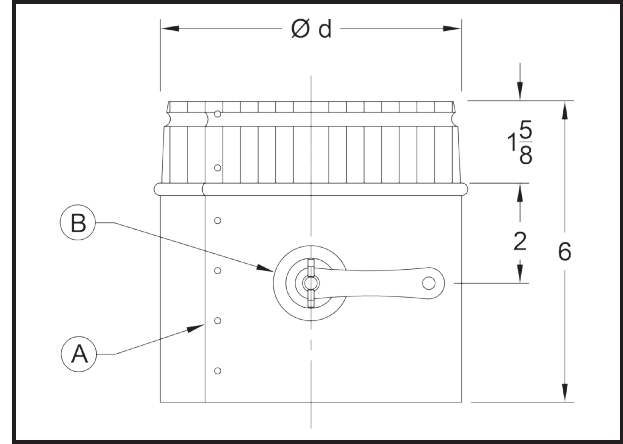
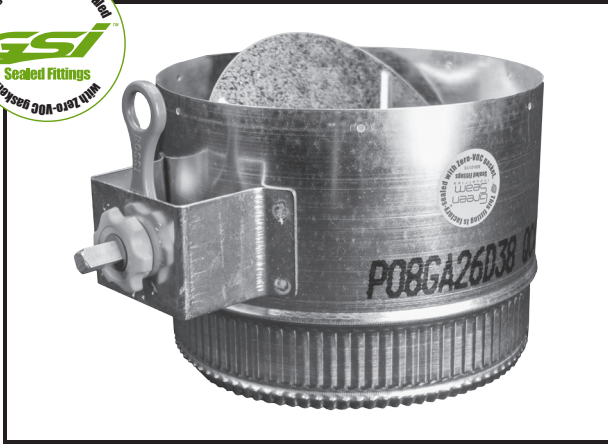


6" In-Line Sleeved Damper



Technical Data

- GSI Sleeved Dampers are designed and tested to surpass SMACNA Class 3 Leakage Standards..*
 - Pre-sealed with gasket made of EPDM rubber and proprietary co-polymer
 - Zero VOCs
 - Galvanized Steel (ASTM A653 and A924)
 - G-60 Galvanized Coating (ASTM A653 and ASTM A90)
 - Available in Specialty Metals:
 - G-90 Galvanized Steel
 - Aluminum (ASTM B209 Alloy 3003 Temper H14)
 - 304 Stainless Steel (ASTM A480 2B Finish)
 - Dimensional Tolerance: $\pm 1/4"$
- A. In-Line Sleeved Dampers now come standard with sealed joints and a sealed riveted seam on the damper! Unsealed fittings are available upon request.
- B. In-Line Sleeved Dampers are supplied with a 2" Stand-Off and 3/8" Solid Rod Damper. In-Line Sleeved Dampers are also available with Windgate hardware or GSI standard low leakage hardware.

Product Availability

Size (Ød)	Gauge Availability	
	26 Ga.	24 Ga.
4"	Yes	Yes
5"	Yes	Yes
6"	Yes	Yes
7"	Yes	Yes
8"	Yes	Yes
9"	Yes	Yes
10"	Yes	Yes
12"	Yes	Yes
14"	Yes	Yes

Part Number Schematic

Example: **NF6S2C4GA26D38** = In-Line Damper for 6" Pipe in 26Ga. Galvanized Steel, with a 3/8" Solid Rod Damper and 2" Stand-Off

NF6 Damper Sleeve	S2 Stand-Off S2 - 2"	C Crimped	4 In-Line Damper Diameter (Ød)	GA Material GA-Galvanized (Std.)	26 Gauge GA - 26, 24 AL S4 G90	D Damper	38 3/8" Solid Rod C Wingate hardware See Appendix A on page 26.
-----------------------------	-----------------------------------	---------------------	--	---	--	--------------------	---

Check with your sales representative for availability of any size, gauge, or specialty metal item not shown here.
* Test performed on standard fittings without dampers.