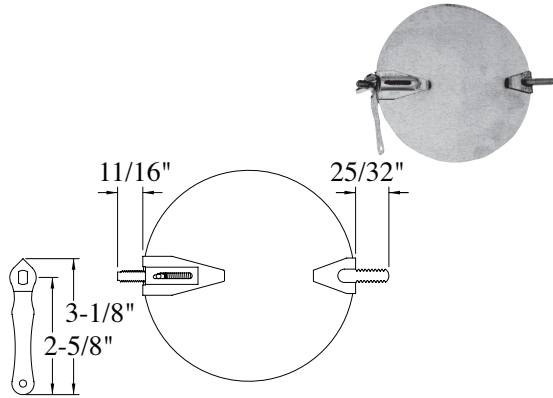


SUBMITTAL RECORD _____
 JOB _____
 LOCATION _____
 SUBMITTED TO _____
 SUBMITTAL PREPARED BY _____
 APPROVED BY _____
 DATE _____

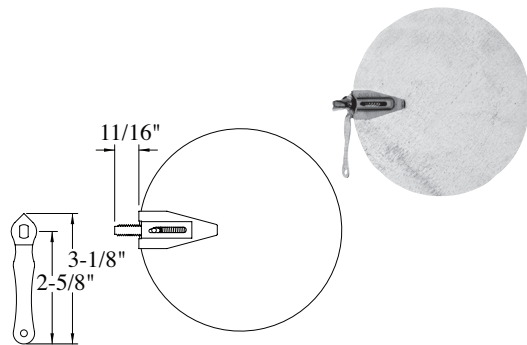


Submittal Form JDS, JD, JDE, JDEH, HDJD Jiffy Dampers



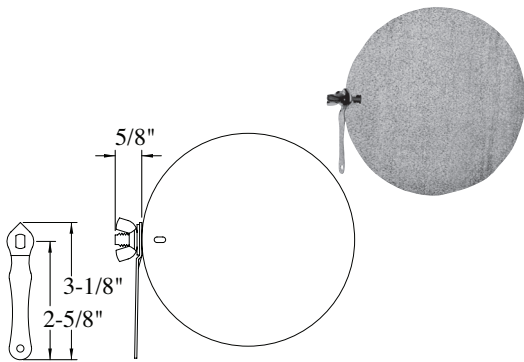
The "JDS" Series Jiffy Damper offers the contractor a quality round damper at a cost lower than most shop-made dampers. The Duro Dyne JDS series utilizes quality Rapit Spring and Rapit Solid End Bearing sets.

JDS JIFFY DAMPERS			
ITEM#	CODE	FOR DUCT SIZE DIA.	QTY
8092	JDS4	4"	10 Per Ctn
8093	JDS5	5"	10 Per Ctn
8094	JDS6	6"	10 Per Ctn
8095	JDS7	7"	10 Per Ctn
8096	JDS8	8"	10 Per Ctn
8097	JDS9	9"	10 Per Ctn
8137	JDS10	10"	10 Per Ctn



The "JD" Series Jiffy Damper offers added economy in those applications where a supporting solid tail bearing is not required on the damper. The Duro Dyne JD Damper utilizes one Rapit Spring End Bearing.

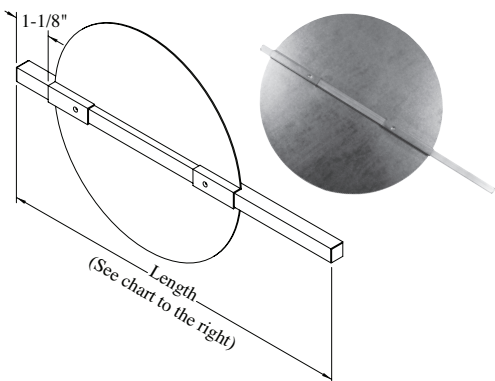
JD JIFFY DAMPERS			
ITEM#	CODE	FOR DUCT SIZE DIA.	QTY
8098	JD4	4"	10 Per Ctn
8099	JD5	5"	10 Per Ctn
8100	JD6	6"	10 Per Ctn
8101	JD7	7"	10 Per Ctn
8146	JD8	8"	10 Per Ctn
8231	JD9	9"	10 Per Ctn
8140	JD10	10"	10 Per Ctn



The "JDEH & JDE" Series Jiffy Damper offers an inexpensive alternative for low pressure applications. The Duro Dyne Economy Damper utilizes one threaded stud as a support bearing. Available with handle or without.

JDEH & JDE JIFFY DAMPERS			
ITEM#	CODE	FOR DUCT SIZE DIA.	QTY
7111	*JDE6	6"	100 Per Ctn
7120	**JDE6H	6"	100 Per Ctn

*JDE and JDEH series dampers available in other sizes
 **JDEH series dampers contain handles



The Heavy Duty Jiffy Damper (HDJD) offers an economical alternative to in shop damper fabrication. It is manufactured of 22 gauge galvanized steel blades and comes pre-assembled. The 3/8" square rod extends 3 inches beyond the blade. 2 "dimples" hold the rod in place during assembly. The HDJD is compatible with Duro Dyne's ESO damper regulator assembly.

HEAVY DUTY JIFFY DAMPERS				
ITEM#	CODE	FOR DUCT SIZE DIA.	QTY	LENGTH
7163	HDJD6	6"	10 Per Ctn	10"
7164	HDJD7	7"	10 Per Ctn	11"
7165	HDJD8	8"	10 Per Ctn	12"
7166	HDJD9	9"	10 Per Ctn	13"
7167	HDJD10	10"	10 Per Ctn	14"
7168	HDJD12	12"	10 Per Ctn	16"
7169	HDJD14	14"	10 Per Ctn	18"
7170	HDJD16	16"	10 Per Ctn	20"

Duro Dyne East Division, Bay Shore, NY 631-249-9000 Fax: 631-249-8346
 Duro Dyne Midwest Division, Fairfield, OH 513-870-6000 Fax: 513-870-6005
 Duro Dyne West Division, Fontana, CA 562-926-1774 Fax: 562-926-5778
 Duro Dyne Canada, Lachine, Quebec, Canada 514-422-9760 Fax: 514-636-0328
 www.durodyne.com E-mail: durodyne@durodyne.com

