

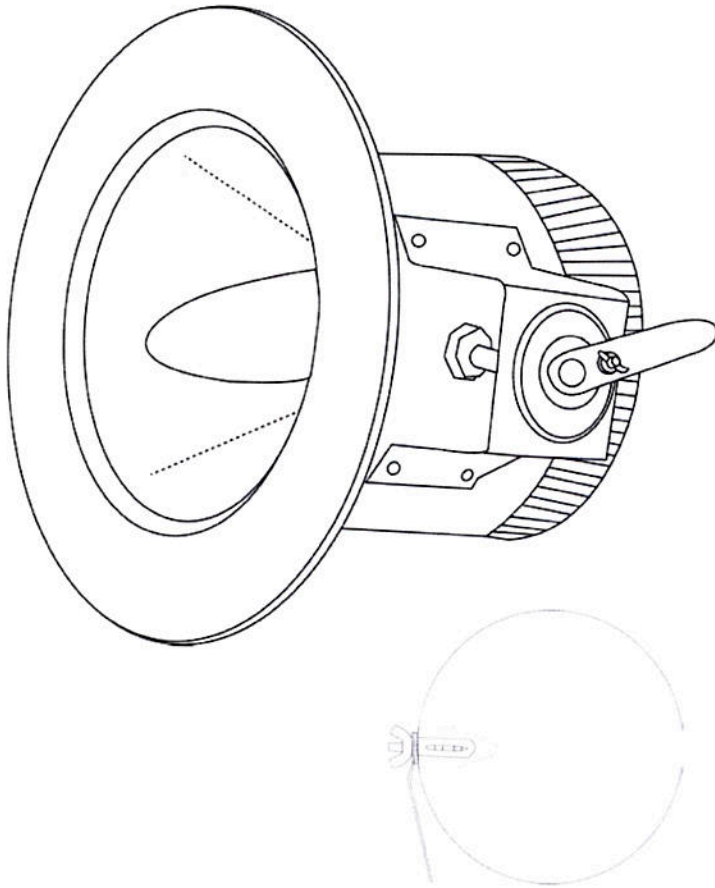


SOUTHWARK METAL MANUFACTURING COMPANY

Philadelphia, PA • Greenville, SC • Indianapolis, IN • Southaven, MS • Fremont, NE • Caldwell, ID
 Corporate Headquarters: 2800 Red Lion Road, Philadelphia PA 19114
 tel: (800) 523-1052 • fax (800) 722-2076 • www.southwarkmetal.com

SUBMITTAL DRAWING

AIR-TITE TAKEOFF with DAMPER and STANDOFF
 (MODEL NO: ATDSO)



Collar Diameter	Gasket Diameter	Body Width
4"	6 3/4"	3 7/8"
5"	7 3/4"	4 7/8"
6"	8 3/4"	5 7/8"
7"	9 3/4"	6 7/8"
8"	10 3/4"	7 7/8"
9"	11 3/4"	8 7/8"
10"	12 3/4"	9 7/8"
12"	14 3/4"	11 7/8"
14"	16 3/4"	13 7/8"
16"	18 3/4"	15 7/8"
18"	20 3/4"	17 7/8"
20"	22 3/4"	19 7/8"

NOTES

- Material: Hot Dipped Galvanized Steel per ASTM A653 CS Type B
- 28 gauge
- Available collar sizes 4" through 20"
- 5 3/4" tube length
- 1 1/2" crimp length
- Standoff available in 1 1/2" or 2" elevation
- Damper: 26 gauge with 18 gauge handle secured with wingnut with locking handle
- Standoff available in 1 1/2" or 2" elevations
- Gasket 1 1/2" wide and 1/8" thick; made with high tack adhesive-coated neoprene foam
- 4 pre-drilled screw holes
- Pressure rating: +/- 4" w.g.

JOB NAME: _____
 LOCATION: _____
 ARCHITECT: _____
 ENGINEER: _____
 CONTRACTOR: _____

DATE: 10/09/12 | SW-ATDSOGVL | SD-0037
 Air-Tite Takeoff with Damper and Standoff
 MODEL NO: ATDSO