

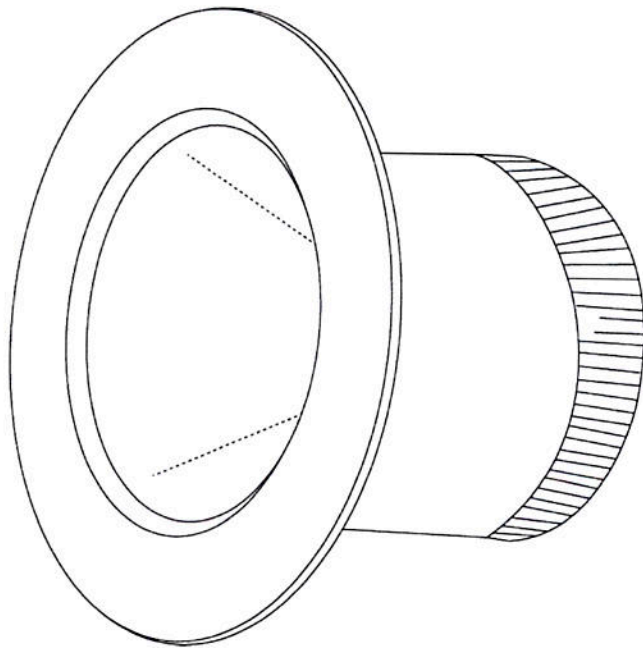


**SOUTHWARK METAL MANUFACTURING COMPANY**

Philadelphia, PA • Greenville, SC • Indianapolis, IN • Southaven, MS • Fremont, NE • Caldwell, ID  
 Corporate Headquarters: 2800 Red Lion Road, Philadelphia PA 19114  
 tel: (800) 523-1052 • fax (800) 722-2076 • www.southwarkmetal.com

SUBMITTAL DRAWING

**FLAT AIR-TITE TAKEOFF**  
 (MODEL NO: ATT)



Collar Diameter	Gasket Diameter
4"	6 3/4"
5"	7 3/4"
6"	8 3/4"
7"	9 3/4"
8"	10 3/4"
9"	11 3/4"
10"	12 3/4"
12"	14 3/4"
14"	16 3/4"
16"	18 3/4"
18"	20 3/4"
20"	22 3/4"

**NOTES**

- Material: Hot Dipped Galvanized Steel per ASTM A653 CS Type B
- Available in 24, 26, or 28 gauge
- Available collar sizes 4" through 20"
- 5 3/4" tube length
- 1 1/2" crimp length
- Gasket 1 1/2" wide and 1/8" thick; made with high tack adhesive-coated neoprene foam
- 4 pre-drilled screw holes
- Pressure rating: +/- 4" w.g.

JOB NAME: \_\_\_\_\_  
 LOCATION: \_\_\_\_\_  
 ARCHITECT: \_\_\_\_\_  
 ENGINEER: \_\_\_\_\_  
 CONTRACTOR: \_\_\_\_\_

DATE: 1/10/14	SW-ATTGVL	SD-0151
Flat Air-Tite Takeoff MODEL NO: ATT		