

SUBMITTAL DRAWING

DATE: 05/03/05

SUBMITTED BY: _____

JOB NAME: _____

LOCATION: _____

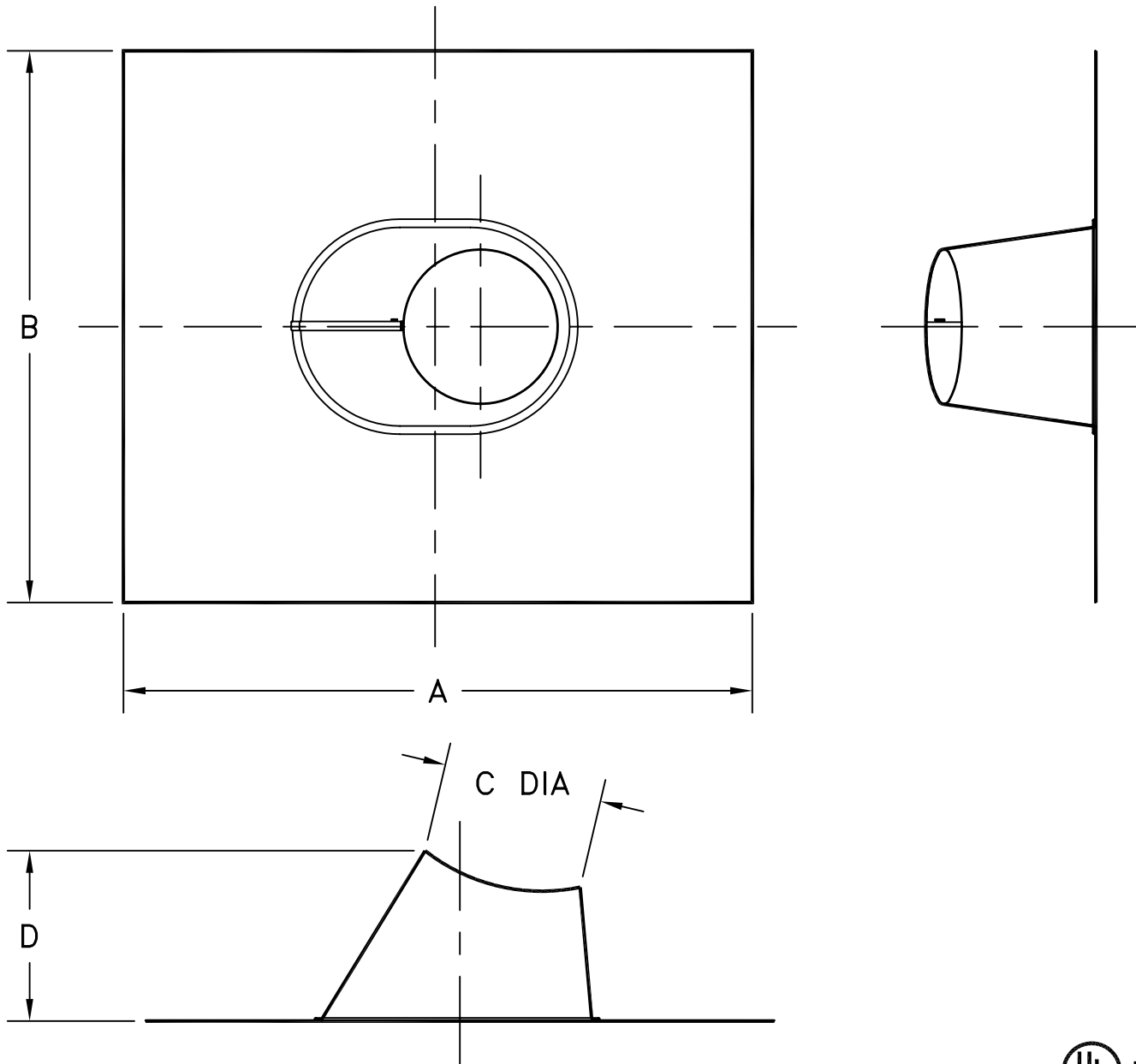
ARCHITECT: _____

ENGINEER: _____

CONTRACTOR: _____

Type B Gas Vent
 ADJUSTABLE FLASHING EF, RF, & F
 3" - 30" DIAMETER

DRAWING #: B1-26



CAT. NO.	A	B	C DIA	D
3EF	14 3/4	12 1/2	3 5/8	4
4EF	16 3/8	13 3/4	4 5/8	5
5EF	17 15/16	15	5 5/8	4 9/16
6EF	18 3/4	16 1/8	6 5/8	6
7RF	20	17 7/8	8 5/32	6 5/8
8RF	21	21	9 5/32	6 5/8
9RF	22	22	10 5/32	6 5/8
10RF	24 1/8	24 1/8	11 5/32	7 1/8
12RF	25 1/16	25 1/16	13 1/8	7 5/8

CAT. NO.	A	B	C DIA	D
14F	28	28	?	?
16F	30 1/8	30 1/8	?	?
18F	31 1/2	31 1/2	?	?
20F	34	34	?	?
22F	34 1/2	34 1/2	?	?
24F	37	37	?	?
26F	43	43	?	?
28F	45	45	?	?
30F	46	46	?	?

- MATERIAL:
 PLATE & CONE - .018 THICK, G-90 GALVANIZED STEEL
- ADJUSTS FROM FLAT TO A 6/12 PITCH