



SOUTHWARK METAL MANUFACTURING COMPANY

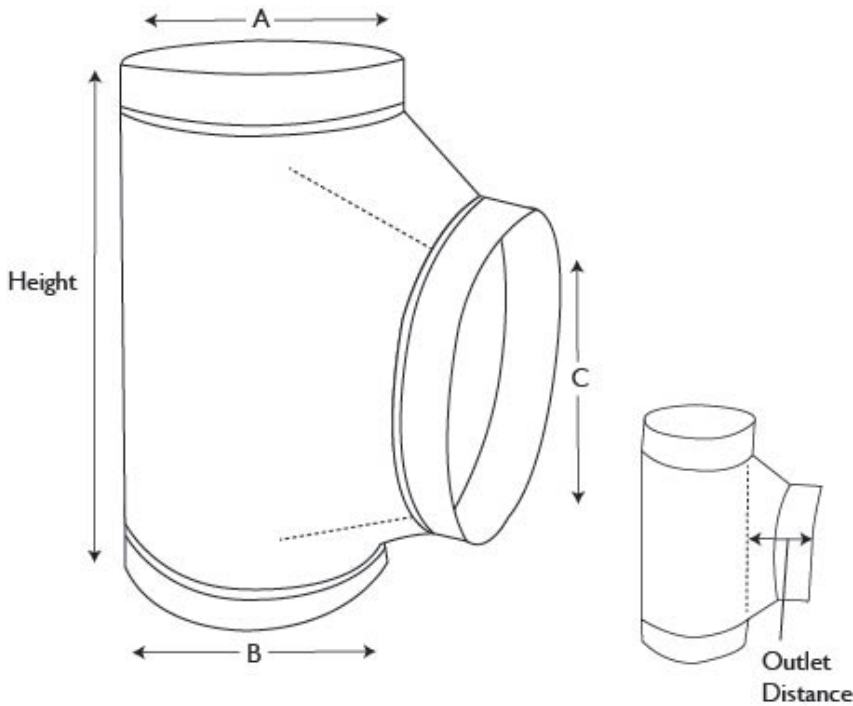
Philadelphia, PA • Greenville, SC • Indianapolis, IN • Southaven, MS • Fremont, NE • Caldwell, ID

Corporate Headquarters: 2800 Red Lion Road, Philadelphia PA 19114

tel: (800) 523-1052 • fax (800) 722-2076 • www.southwarkmetal.com

SUBMITTAL DRAWING

**FREE FLOW TEE
(MODEL NO: 1060)**



Note: Gauge availability dependent on outlet diameter size

Diameter	30 Ga	26 Ga	24 Ga
3"	x	x	
4"	x	x	
5"	x	x	x
6"	x	x	x
7"	x	x	x
8"	x	x	x
9"	x	x	x
10"	x	x	x
12"	x	x	x
14"	x	x	x
16"		x	x
18"		x	x

NOTES

- Material: Hot Dipped Galvanized Steel per ASTM A653 CS Type B
- All collars (A, B, and C) are equal in diameter size
- Plain style collars
- Gauges vary depending on outlet diameter size (see table)
- Height varies from 14" to 30"
- Outlet distance varies from 5" to 6.5"
- Collars up to 16" are 2" wide; collars 18" and above are 3" wide

JOB NAME: _____
 LOCATION: _____
 ARCHITECT: _____
 ENGINEER: _____
 CONTRACTOR: _____

DATE: 03/07/12

SW-FFTGVL

SD-0003

Free Flow Tee
 MODEL NO: 1060
 Free Flow Tee with 90° Connection