

Spun Press-On Conical



Technical Data

- GSI Conicals are designed and tested to surpass SMACNA Class 3 Leakage Standards.*
- Pre-sealed with gasket made of EPDM rubber and proprietary co-polymer
- Zero VOCs
- Galvanized Steel (ASTM A653 and A924)
- G-60 Galvanized Coating (ASTM A653 and ASTM A90)
- Available in Specialty Metals**:
 - G-90 Galvanized Steel
 - Aluminum (ASTM B209 Alloy 3003 Temper H14)
 - 304 Stainless Steel (ASTM A480 2B Finish)
- Pressure Rating: Designed per SMACNA Third Edition 2005 Section 4.8 Figure 4-6 Branch Connections
- Dimensional Tolerance: $\pm 1/4"$

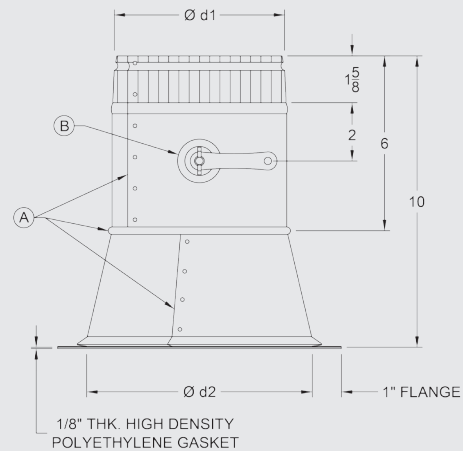
* Test performed on standard fittings without dampers
 ** 3 piece conical provided on Aluminum and Stainless Steel.



Product Availability

Size (Ød1)	Gauge Availability		Quantity		Dimension Ød2
	26 Ga.	24 Ga.	Carton	Skid	
4"	Yes	-	20	200	5 3/4"
5"	Yes	Yes	20	200	6 3/4"
6"	Yes	Yes	20	160	7 3/4"
7"	Yes	Yes	8	96	8 3/4"
8"	Yes	Yes	8	96	9 3/4"
9"	Yes	Yes	8	96	10 3/4"
10"	Yes	Yes	8	96	11 3/4"
12"	Yes	Yes	5	50	13 3/4"
14"	Yes	Yes	5	50	15 3/4"
16"	Yes	Yes	5	40	17 3/4"
18"	Yes	Yes	A/O	A/O	19 3/4"
20"	Yes	Yes	A/O	A/O	21 3/4"

Dampened fittings are available with 1 1/2" or 2" Stand-Off.
 See Damper Hardware options on pages 27-30.
 A/O - As Ordered



- A. Conicals now come standard with sealed joints! The riveted seam on the collar and cone, as well as the co-latch seam between the collar and cone are sealed with the GreenSeam integral gasket. Unsealed fittings are available upon request.
- B. Non-dampened Conicals are supplied with a 3/8" knock-out. Dampened Conicals are supplied with 24GA. damper blades and GSI's proprietary low-leakage hardware. See Page 27.

Part Number Schematic

Example: **CNS15PR10GA26**D38** = Press-on Conical for 10" Pipe in 26Ga. Galvanized Steel, with a Solid Rod Damper and 1 1/2" Stand-Off

S	CN	S15	P	R	10	GA	26	D	C
Scoop (Opt.)	Conical	Stand-Off S15 - 1 1/2" S2 - 2" (Opt. on Dampers Only)	Press-On	Riveted	Conical Diameter (Ød1)	Material GA-Galvanized (Std.) AL - Aluminum S4 - 304 S.S	Gauge GA - 26, 24 AL - 32 S4 - 26	Damper (Opt.)	Wingate hardware 38 3/8" Solid Rod (Opt. on Dampers Only) See Damper Hardware options on pages 27-30

** Add 90 for G90 Galvanized Coating
 Items in green denote other available features
 Check with your sales representative for availability of any size, gauge, or specialty metal item not shown here.