

Gorelocker Combi T Pre-Installation Checklist



We are very pleased about your decision to buy Spiro® machines, which grants high quality and reliability. We learned from our long experience that a well executed installation and a profound training of your staff is the basis for a well working end product. To give you the best chances having this, we need your help. Please read the form and make sure the required preparations are made. Then fill in the boxes below and send a copy of page 1 back to Spiro®.

As soon you have made the preparations and we have received this form, we shall organise a visit from one of our field engineers to install your machine.

Please note that extra costs may occur if your preparation procedures have not been completed prior to the installation.

Thank you in advance for your cooperation

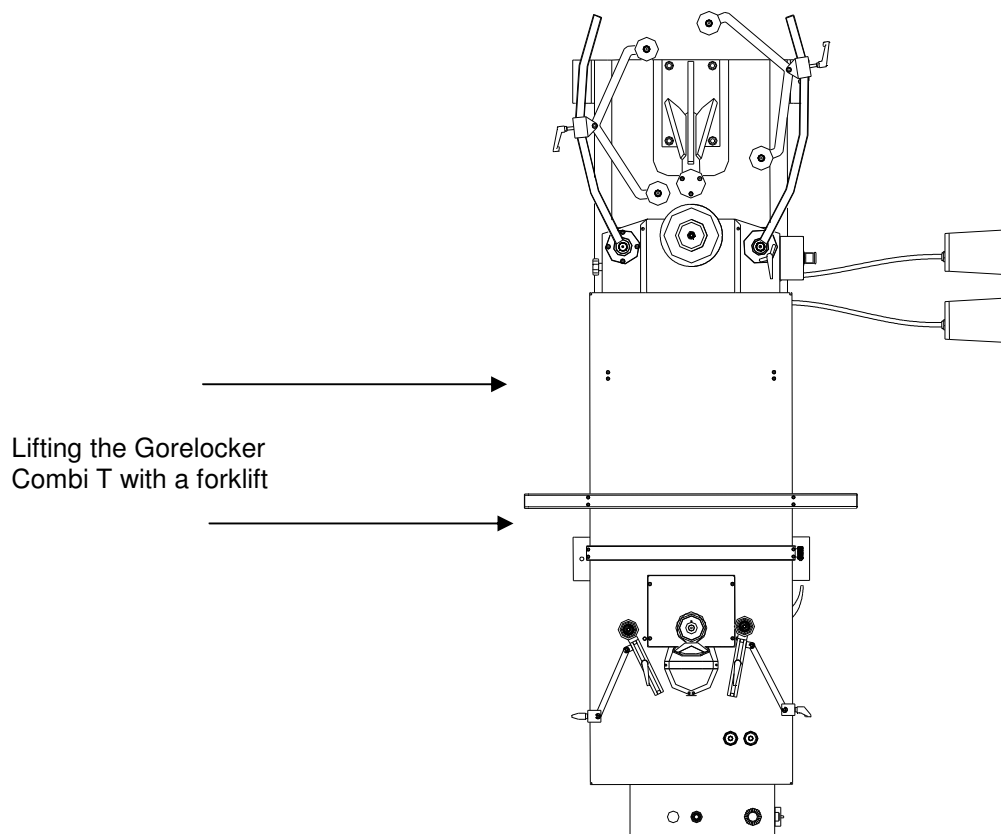
1. The Gorelocker Combi T is unpacked and placed in its final position. Read the Safety Instruction for lifting the machine (page 2), before it is moved out of the box.	
2. A separate, isolated electrical power cable, 3 Phase and earth is ready for connection to the machine control supply 3x400 V / 16A.	
3. During the installation you need an electrician, ready to connect the machine on the request from our engineer.	
4. The voltage variation on the power supply for the machine control (max. $\pm 10\%$ allowed) is checked and a stabiliser is installed if necessary.	
5. The compressed air supply for the Gorelocker Combi T with a pressure of 6 bars, 20l/min and a flexible hose (inside $\text{Ø}10\text{mm}$) is ready for connection to the machine.	
6. 55 Litres of hydraulic oil is ready to be used. We recommend ATF Dextron II, Shell Tellus 68, Castrol Hyspin AWS 68, BP ENergol HLP 68 or something that is equivalent	
7. The material is ready for the fabrication of the projected parts.	
8. The floor where the machine is standing must be in level, with a maximum height difference of $\pm 10\text{mm/m}$. The area must be plain and made of concrete, or equivalent material, and bear up $\geq 2000\text{kg/m}^2$ to facilitate the installation and attachment to the floor.	

If there are any questions, please contact us and we will be happy to assist you.

Safety instructions

Lifting and transporting the machine within the production area

The machine can be lifted with a forklift, as shown on the picture below.



Place the right fork (lower arrow on the picture) as close as possible to the foot plate.

Layout

Dimensions in mm (inch within brackets)

