

### CORE

- Two plies of black polyester film encapsulate a steel wire helix.
- Rated pressures (UL-181): 12 in. W.C. positive, 3/4 in. W.C. negative ( $\leq 12''\phi$ ) & 1/2" W.C. negative ( $> 12''\phi$ ).
- Recommended maximum operating pressures (ADC Test FD 72-R1):  
6 in. W.C. positive for 12 in. diameter and under.  
4 in. W.C. positive for 14 in. diameter and over.
- Rated maximum air velocity: 5000 FPM.

### THERMAL CHARACTERISTICS

- R-8.0 formaldehyde free insulation certified by UL and the Air Diffusion Council in accordance with ADC Flexible Duct Performance and Installation Standards using ASTM C-518 at installed wall thickness on flat insulation only.

### VAPOR BARRIER

- A durable black polyethylene vapor barrier
- Perm rating of 0.1 perms when measured per ASTM E96, Method A.

### SURFACE BURNING CHARACTERISTICS

- Flame Spread: Less than 25
- Smoke Developed: Less than 50

### OPERATING TEMPERATURE RANGE

- -20°F to 140°F Continuous
- -20°F to 250°F Intermittent

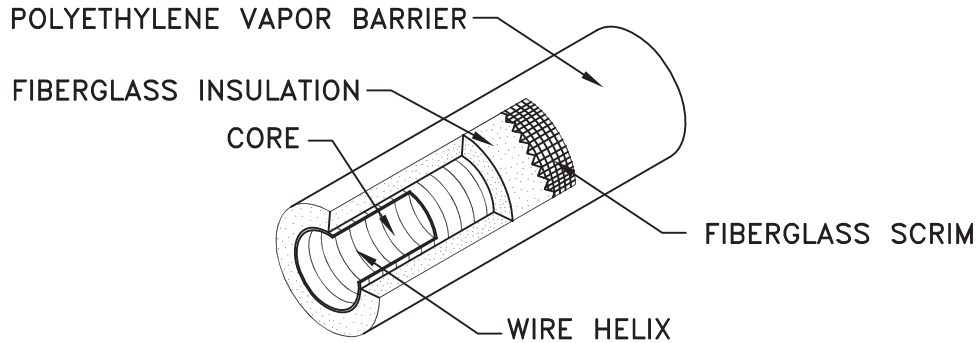
### SIZE AVAILABILITY

- Standard length: 25 feet
- Diameters offered: 4" - 10", 12", 14", 16" & 18"
- Plain ends
- F118 is boxed and FB118 is bagged

### APPROVALS/COMPLIANCE

- UL-181 (UL LISTED)
- NFPA 90A & 90B
- HUD, IMC, UMC
- California Bureau of Home Furnishings
- Most Federal, State, and Local Codes and Standards.
- GREENGUARD Children & Schools
- GREENGUARD Level 4 "Highly Microbial Resistant" Rated
- CHPS
- American Schools & Hospital Facilities Product Directory

JOB NAME: _____	SUBMITTED BY: _____	DATE: 7/17/2014	SD-5013
LOCATION: _____		<b>F118, FB118</b> Insulated Flexible Air Duct Class 1, R-8.0 Polyester Core Polyethylene Vapor Barrier	
ARCHITECT: _____			
ENGINEER: _____			
CONTRACTOR: _____			



### CORE

- Two plies of black polyester film encapsulate a steel wire helix.
- Rated pressures (UL-181): 12 in. W.C. positive, 3/4 in. W.C. negative ( $\leq 12''\phi$ ) & 1/2" W.C. negative ( $> 12''\phi$ ).
- Recommended maximum operating pressures (ADC Test FD 72-R1):  
6 in. W.C. positive for 12 in. diameter and under.  
4 in. W.C. positive for 14 in. diameter and over.
- Rated maximum air velocity: 5000 FPM.

### THERMAL CHARACTERISTICS

- R-6.0 formaldehyde free insulation certified by UL and the Air Diffusion Council in accordance with ADC Flexible Duct Performance and Installation Standards using ASTM C-518 at installed wall thickness on flat insulation only.

### VAPOR BARRIER

- A durable black polyethylene vapor barrier
- High tensile multi-directional fiberglass scrim is used under the vapor barrier to provide additional strength and tear resistance.
- Perm rating of 0.1 perms when measured per ASTM E96, Method A.

### SURFACE BURNING CHARACTERISTICS

- Flame Spread: Less than 25
- Smoke Developed: Less than 50

### OPERATING TEMPERATURE RANGE

- -20°F to 140°F Continuous
- -20°F to 250°F Intermittent

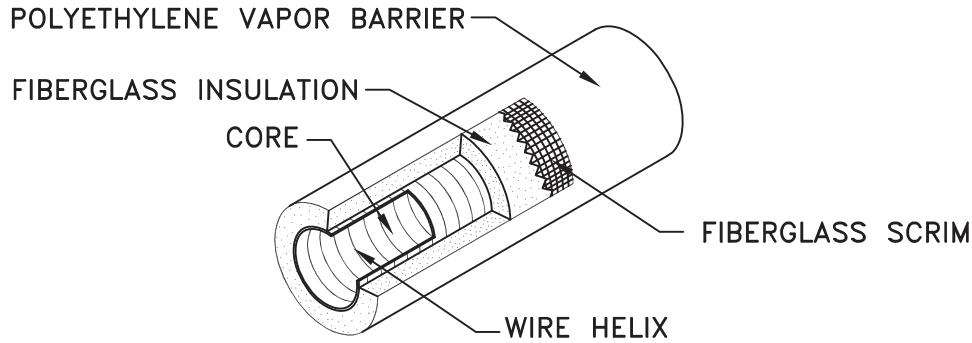
### SIZE AVAILABILITY

- Standard length: 25 feet
- Diameters offered: 4" - 10", 12", 14", 16", 18" & 20"
- Plain ends
- F116 - Packaged in boxes
- FB116 - Packaged in bags

### APPROVALS/COMPLIANCE

- UL-181 (UL LISTED)
- NFPA 90A & 90B
- HUD, IMC, UMC
- California Bureau of Home Furnishings
- Most Federal, State, and Local Codes and Standards.
- GREENGUARD Children & Schools
- GREENGUARD Level 4 "Highly Microbial Resistant" Rated
- CHPS
- American Schools & Hospital Facilities Product Directory

JOB NAME: _____	SUBMITTED BY: _____	DATE: 7/17/2014	SD-5011
LOCATION: _____		<b>F116, FB116</b> Insulated Flexible Air Duct Class 1, R-6.0 Polyester Core Polyethylene Vapor Barrier	
ARCHITECT: _____			
ENGINEER: _____			
CONTRACTOR: _____			



**CORE**

- Two plies of black polyester film encapsulate a steel wire helix.
- Rated pressures (UL-181): 12 in. W.C. positive, 3/4 in. W.C. negative ( $\leq 12''\varnothing$ ) & 1/2" W.C. negative ( $> 12''\varnothing$ ).
- Recommended maximum operating pressures (ADC Test FD 72-R1):
- 6 in. W.C. positive for 12 in. diameter and under.
- 4 in. W.C. positive for 14 in. diameter and over.
- Rated maximum air velocity: 5000 FPM.

**THERMAL CHARACTERISTICS**

R-4.2 formaldehyde free insulation certified by UL and the Air Diffusion Council in accordance with ADC Flexible Duct Performance and Installation Standards using ASTM C-518 at installed wall thickness on flat insulation only.

**VAPOR BARRIER**

- A durable black polyethylene vapor barrier
- High tensile multi-directional fiberglass scrim is used under the vapor barrier to
- provide additional strength and tear resistance.
- Perm rating of 0.1 perms when measured per ASTM E96, Method A.

**SURFACE BURNING CHARACTERISTICS**

- Flame Spread: Less than 25
- Smoke Developed: Less than 50

**OPERATING TEMPERATURE RANGE**

- -20°F to 140°F Continuous
- -20°F to 250°F Intermittent

**SIZE AVAILABILITY**

- Standard length: 25 feet
- Diameters offered: 3"- 10", 12", 14", 16", 18" & 20"
- F114 - Packaged in boxes
- FB114 - Packaged in bags

**APPROVALS/COMPLIANCE**

- UL-181 (UL LISTED)
- NFPA 90A & 90B
- HUD, IMC, UMC
- California Bureau of Home Furnishings
- Most Federal, State, and Local Codes and Standards.
- GREENGUARD Children & Schools
- GREENGUARD Level 4 "Highly Microbial Resistant" Rated
- CHPS
- American Schools & Hospital Facilities Product Directory

JOB NAME: _____	SUBMITTED BY: _____	DATE: 7/17/2014	SD-5001
LOCATION: _____		<b>F114, FB114</b> Insulated Flexible Air Duct Class 1, R-4.2 Polyester Core Polyethylene Vapor Barrier	
ARCHITECT: _____			
ENGINEER: _____			
CONTRACTOR: _____			