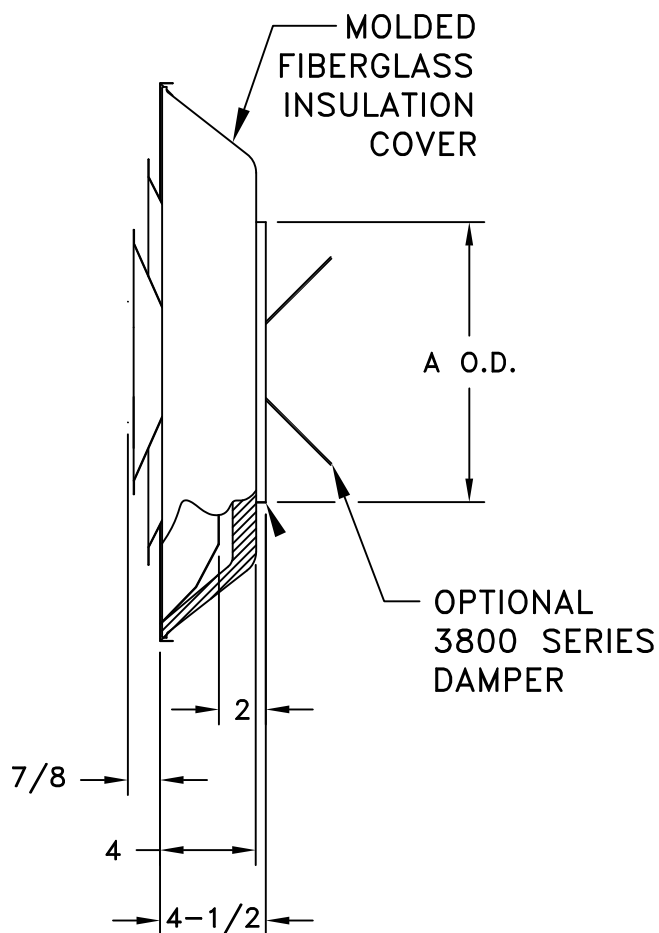
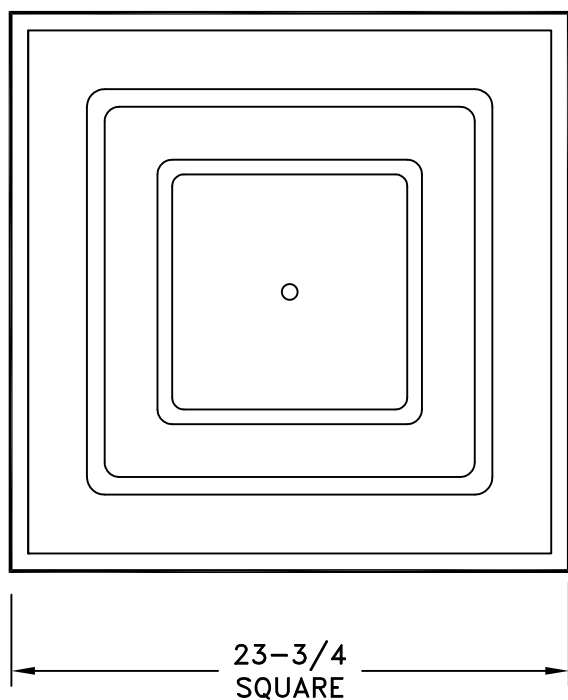


- ALL STEEL CONSTRUCTION FPDR6 ALUMINUM CONSTRUCTION AFPDR6
- MOLDED R6 FIBERGLASS INSULATION COVERS BACKPANEL
- FITS STANDARD 2' X 2' T-BAR CEILING SYSTEMS
- OPTIONAL NO. 3800 STEEL BUTTERFLY DAMPER ADJUSTABLE THROUGH THE FACE
- AVAILABLE IN 6-14 INCH COLLAR SIZES
- FINISH: WHITE (W) ENAMEL



| SIZE | A O.D. |
|------|--------|
| 6 | 5-7/8 |
| 8 | 7-7/8 |
| 10 | 9-7/8 |
| 12 | 11-7/8 |
| 14 | 13-7/8 |

JOB NAME: _____
 LOCATION: _____
 ARCHITECT: _____
 ENGINEER: _____
 CONTRACTOR: _____

SUBMITTED BY: _____

DATE: 06/7/2018 SD-9437

FPD/AFPDR R-6
 Steel
 Fixed Pattern Diffuser
 With R6 Insulation