

AIR REGULATION



Rubber Bushings

Available in Round or Square

Duro Dyne Rubber Bushing are designed to create an air tight seal when supporting damper rod/bearings. Functionally Rated for intermittent high temperatures of 215°F/102°C.

Made of Thermoplastic Elastomer

Rated to : FDA 21 CFR 177.1210

UL 94 .QMFZ2.E76261

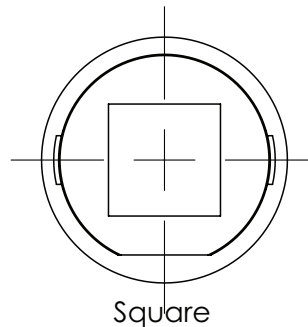
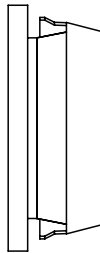
Color: High Vis Yellow

Panel Thickness 1/32" nom

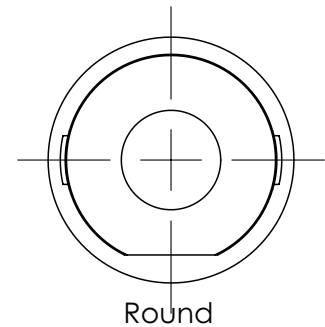
Panel Hole Diameter 5/8"

AVAILABLE IN:

- 1/4 round
- 1/4 square
- 3/8 round
- 3/8 square



Square



Round



Ordering Information			
Item#	Code	Description	Quantity
2266	BKPRB80	1/4in Round ID Rubber Bushing	100/Box
2267	BKPRB81	1/4in Square ID Rubber Bushing	100/Box
2268	BKPRB82	3/8in Round ID Rubber Bushing	100/Box
2269	BKPRB83	3/8in Square ID Rubber Bushing	100/Box
2271	BKPRB80B	1/4in Round ID Rubber Bushing Bulk	1000/Box
2272	BKPRB81B	1/4in Square ID Rubber Bushing Bulk	1000/Box
2273	BKPRB82B	3/8in Round ID Rubber Bushing Bulk	1000/Box
2274	BKPRB83B	3/8in Square ID Rubber Bushing Bulk	1000/Box

Duro Dyne East Division, Bay Shore, NY
Duro Dyne Midwest Division, Fairfield, OH
Duro Dyne West Division, Fontana, CA
Duro Dyne Canada, Lachine, Quebec, Canada

www.durodyne.com E-mail: durodyne@durodyne.com

631-249-9000
513-870-6000
562-926-1774
514-422-9760

Fax: 631-249-8346
Fax: 513-870-6005
Fax: 562-926-5778
Fax: 514-636-0328



© Duro Dyne Corp.
Printed in USA 3/16
BC008408