



Builder's Best, Inc.
 201 Broiles Drive
 Jacksonville, TX 75766
 903-586-8283
 sales@venting.biz
 BuildersBest.com

PRIMEX RV28 GOOSE NECK ROOF VENT



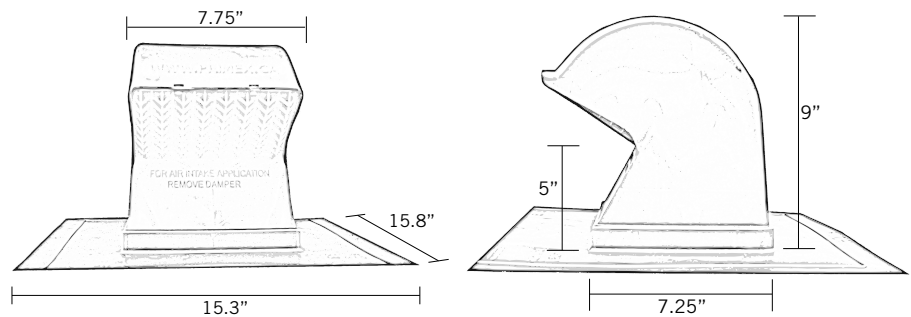
PRODUCT SPECIFICATIONS PLEASE SEE REVERSE FOR CURRENT PRIMEX TECH SPECS

- UV protected polymer resin, black
- One piece molded hood
- Removeable screen
- Removeable damper
- 26.5 square inches free area

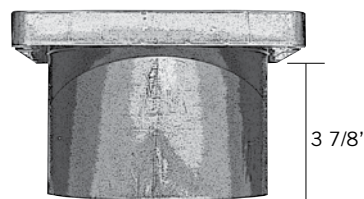
PART NUMBERS

Part numbers shown are stocked.
Other Primex items are special orders.

Description	Old case #	New case #	Qty	Pkg
4"-8" Flush - Black	111786	RV2825	5	Bulk
Optional Snap-In Adapters:				
4" Black	111787	RV28-4	30	Bulk
5" Black	111788	RV28-5	30	Bulk
6" Black	111789	RV28-6	25	Bulk
7" Black	111790	RV28-7	25	Bulk
8" Black	111791	RV28-8	18	Bulk



OPTIONAL SNAP-IN ADAPTER



LABELS

Builder's Best is an
 Authorized Primex Distribution Partner
 Primex is Made in Canada



WARRANTY

Please contact Primex info@primexvents.com for warranty information.

RV28 Goose-Neck Roof Vent

Technical Data Sheet

FEATURES & BENEFITS

- Provides all-weather ventilation with 5" of additional height for snow clearance.
- Maximize inventories turns with single hood size and separate 4 to 8-inch easy snap-in adapters.
- Patented design eliminates leaky joints and maximizes water protection with one-piece, molded hood.
- Ensures watertight installation with over-sized flange.
- Resists damage from sun and hail with UV-protected, impact resistant polymer resin.
- Simple intake/exhaust conversion via removable damper.

PRODUCT DIMENSIONS

HOOD SIZE: H: 15.7" / W: 15.3" / D: 9.5"

COLOURS

- Black (25)
- Light Grey (31)
- Dark Grey (28)
- Tan (45)
- Dark Brown (68)

APPLICATIONS

- Dryer Venting
- Bathroom Venting
- Range Venting
- Heat Recovery Venting (HRV)
- Intake

PART NUMBER/SIZING

Part #	Size	Free Area	Description	Pkg
RV28	7"x7"x9.38"	26.5 sq. in.	Exhaust vent with screen	5/box (bulk 120 avlbl)
RV28NS	7"x7"x9.38"	31.8 sq. in.	Exhaust vent without screen	5/box (bulk 120 avlbl)
RV28-4	4" Dia.	12.6 sq. in.	Duct adapter: 4"	30/box
RV28-5	5" Dia.	19.6 sq. in.	Duct adapter: 5"	30/box
RV28-6	6" Dia.	26.5 sq. in. 28.3 NS	Duct adapter: 6"	25/box
RV28-7	7" Dia.	26.5 sq. in. 31.8 NS	Duct adapter: 7"	25/box
RV28-8	8" Dia.	26.5 sq. in. 31.8 NS	Duct adapter: 8"	18/box

TECHNICAL DRAWING

