



**STANDARD CONSTRUCTION**

**BODY:**  
GRV: 26 GAUGE G-90 GALVANIZED STEEL  
ARV: 0.018" 3003H14 ALUMINUM SHEET  
UNIVERSAL FLANGE

**OPTIONS:**  
CUSTOM SIZES AVAILABLE  
CUSTOM COLLAR SIZE OPTIONS AVAILABLE UPON REQUEST  
COLLAR (ADD A "C" TO THE END OF THE MODEL NUMBER)  
DAMPER (ADD A "D" TO THE END OF THE MODEL NUMBER)  
COLLAR AND DAMPER (ADD A "CD" TO THE END OF THE MODEL NUMBER)  
ALUMINUM MODEL (USE "ARV" IN REPLACEMENT OF "GRV")

**FEATURES**

BIRDSCREEN STANDARD ON ALL ROOF VENTS, UNLESS REQUESTED OTHERWISE. ADD "-NS" TO END OF PART NUMBER WHEN ORDERING GRV WITHOUT BIRDSCREEN. (i.e. GRV4XTCD-NS)

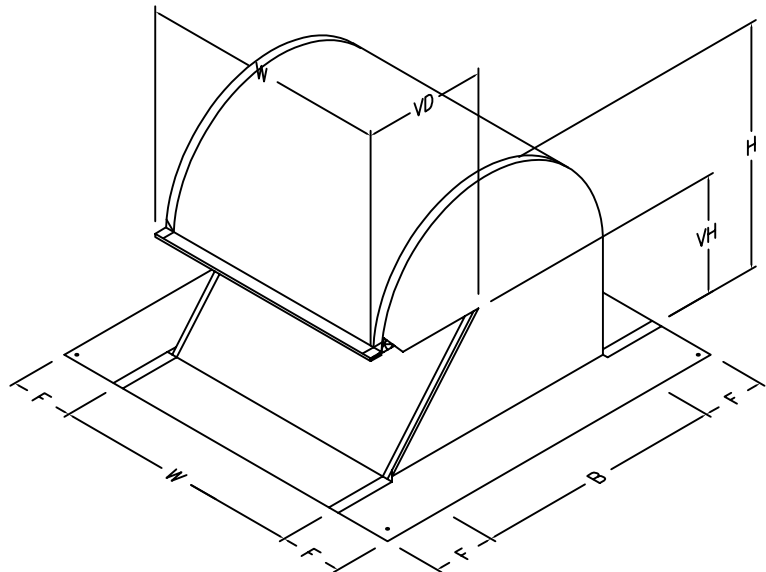
26 GAUGE GALVANIZED STEEL OR 0.018" ALUMINUM SHEET PROVIDE EXCELLENT CORROSION RESISTANCE AND LONGEVITY.

SEALED SEAMS KEEP OUT THE ELEMENTS.

FLANGED BASE PROVIDES FOR GOOD VENT-TO-ROOF CONTACT AND AN EASY CAULKING SURFACE.

MODEL	WIDTH (W)	HEIGHT (H)	FLANGE (F)	BASE (B)	VENT DEPTH (VD)	VENT HEIGHT (VH)	VENT OPENING (SQ. IN)	COLLAR OPTION (DIA)
GRV4	4"	6"	2 1/2"	7"	2 3/4"	3"	11.4	4"
GRV4T		9"	2 1/2"	7"	2 3/4"	6"	11.4	
GRV4XT		14 1/8"	3"	10"	4 3/4"	10 1/4"	19.6	
GRV6	6"	6"	2 1/2"	7"	2 3/4"	3"	16.9	6"
GRV6T		9"	2 1/2"	7"	4 3/4"	6"	16.9	
GRV6XT		14 1/8"	3"	10"	4 3/4"	10 1/4"	29.1	
GRV7	7"	6"	2 1/2"	7"	2 3/4"	3"	19.6	6"
GRV7T		9"	2 1/2"	7"	2 3/4"	6"	19.6	
GRV7XT		14 1/8"	3"	10"	4 3/4"	10 1/4"	33.5	
GRV8	8"	6"	2 1/2"	7"	2 3/4"	3"	22.4	8"
GRV8T		9"	2 1/2"	7"	2 3/4"	6"	38.5	
GRV8XT		14 1/8"	3"	10"	4 3/4"	10 1/4"	38.5	
GRV10	10"	9"	2 1/2"	7"	2 3/4"	6"	27.9	8"
GRV10T		11 3/4"	2 1/2"	9 3/8"	4 3/4"	8"	48.1	
GRV10XT		14 1/8"	3"	10"	4 3/4"	10 1/4"	48.1	
GRV12	12"	9"	2 1/2"	7"	2 3/4"	6"	35.5	10"
GRV12T		11 3/4"	2 1/2"	9 3/8"	2 3/4"	8"	57.4	
GRV12XT		14 1/8"	3"	10"	4 3/4"	10 1/4"	57.4	
GRV14	14"	9"	2 1/2"	7"	2 3/4"	6"	36.5	10"
GRV14T		11 3/4"	2 1/2"	9 3/8"	2 3/4"	8"	66.5	
GRV14XT		14 1/8"	3"	10"	4 3/4"	10 1/4"	66.5	

Note: All sizes listed are available in Aluminum (ARV)



NOTE: MAXIMUM B-DIMENSION IS 10", EVEN IF THE W-DIMENSION IS GREATER.

JOB NAME:  
 LOCATION:  
 ARCHITECT:  
 ENGINEER:  
 CONTRACTOR:

CONTACT MIAMI TECH INC. FOR ADDITIONAL INFORMATION OR WITH SPECIAL REQUIREMENTS.

3611 NW 74TH ST  
 MIAMI, FL 33147  
 PHONE: 305-693-7054 FAX: 305-693-6152

WEB: WWW.MIAMITECH.COM  
 EMAIL: SALES@MIAMITECH.COM

**GRV / ARV**

GALVANIZED / ALUMINUM ROOF VENT  
PRODUCT SPECIFICATIONS

NOTE: ALL DRAWINGS SUBJECT TO CHANGE WITHOUT PRIOR NOTICE.



DRAWN BY: AF	DATE: 08/20/07	SCALE: NOT TO SCALE	DRAWING NO. GRV/ARV
CHECKED BY: AV	DATE: 02/03/14	REVISION: E	