



MASON INDUSTRIES, Inc.

Manufacturers of Vibration Control Products

350 Rabro Drive
Hauppauge, NY 11788
631/348-0282
FAX 631/348-0279

2101 W. Crescent Ave., Suite D
Anaheim, CA 92801
714/535-2727
FAX 714/535-5738

Info@Mason-Ind.com • www.Mason-Ind.com

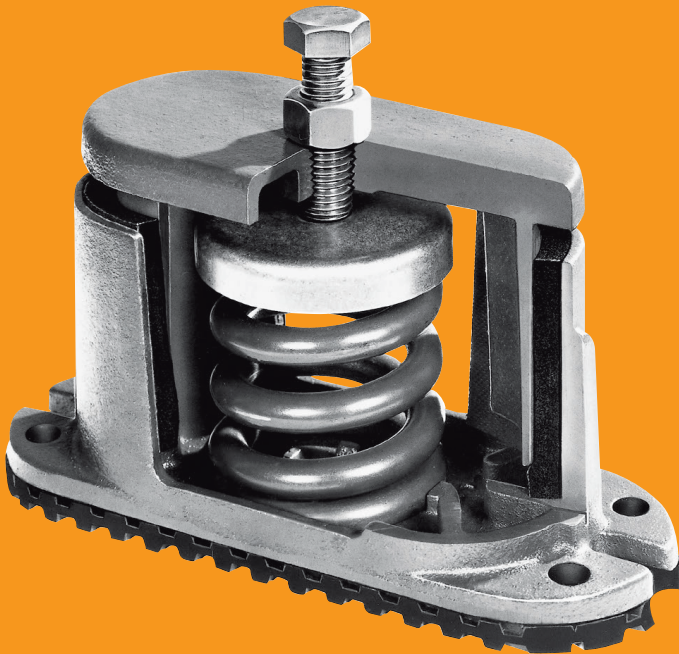
HOUSED
SINGLE and
MULTIPLE
SPRING MOUNTS

TYPE

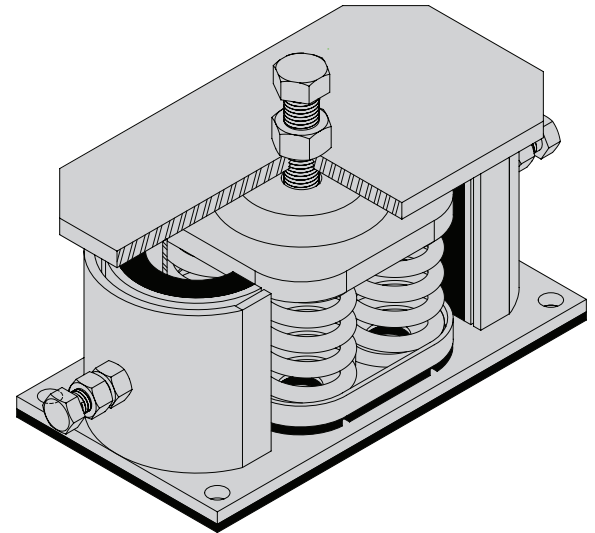
C

C-210-3.1 BULLETIN

TYPE "C" Spring Mountings provide a packaged solution to troublesome vibration problems. Since the static deflection of the spring element is much greater than that provided by most rubber materials, these units will perform where it is necessary to establish low natural frequencies or to use a mounting that is more yielding than the supporting floor. Type "C" mountings are specifically designed for noise and vibration free application in critical areas on light concrete or wooden floors.



Semi-circular Neoprene sponge inserts limit movement during start and stop and prevent contact between the projections of the upper and lower semi-steel castings. These inserts are designed for a minimum of damping in all directions to allow the springs to function properly and develop installed efficiencies that are very close to the theoretical. Non-adjustable inserts are recommended for all air conditioning applications under compressors, air handling units, centrifugal fans and most other constant frequency vibration problems.



TYPE "CS" mountings have built in adjustable snubbers for shock absorbing and high horizontal thrust applications. The damping, or housing drag, is varied by means of end adjustment bolts which change the pressure on the solid neoprene inserts. Tightening the snubbers reduces vertical movement and limits bounce. The same adjustment controls side motion and rock. Wear is negligible as damping is provided by the viscous-distortion of the neoprene inserts rather than by friction. Adjustable snubbers are recommended for applications under punch presses, drop hammers, clickers and other industrial equipment.

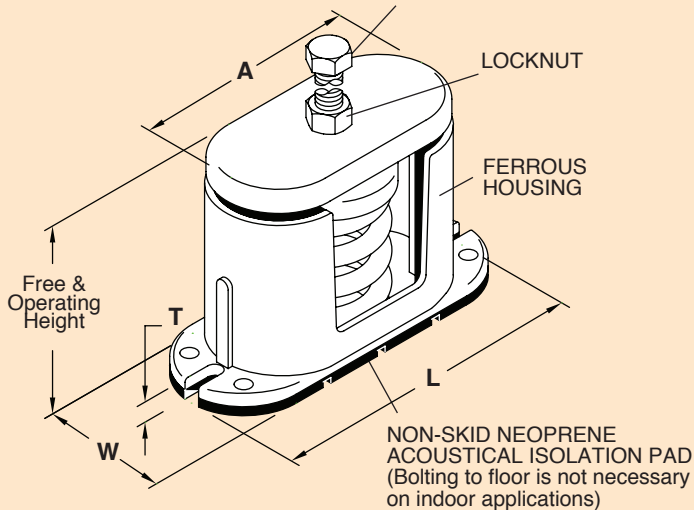
EXTERNAL adjustment mountings are used when equipment mounting holes are well centered and the mounting leveling and adjustment bolt is accessible from above.

INTERNAL adjustment mountings provide a means of attachment when it is preferable to shift the center of the mounting in relation to the equipment mounting hole or where there is no access for adjustment from above. Attachment to the equipment may be made either by an individually located tapped hole or by a type "W" friction pad cemented on top of the mounting. The internal spring adjustment bolt is reached through the side opening by means of an open end wrench. Both external and internal adjustment mountings are provided with type "W" acoustical friction pads on bottom to eliminate the need for bolting down on most installations.

1" & 2" Deflection SINGLE and MULTIPLE SPRING MOUNTS

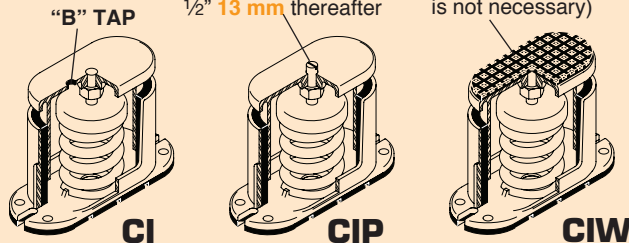
C

TOP ACCESS ADJUSTMENT BOLT— Turn clockwise to load spring and maintain Free & Operating Height. Bolt length is suitable for 1" 25mm maximum Equipment Base thickness.

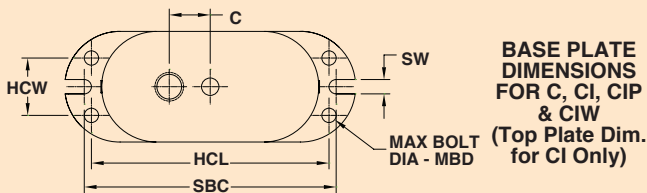


Dowel Pin is 3/8" 10 mm dia for CIP-A & 1/2" 13 mm thereafter

FRICION PAD - (Bolting to Equipment is not necessary)



CI, CIP & CIW Mounts have SIDE ACCESS INTERNAL ADJUSTMENT BOLTS. Turn clockwise to load spring and maintain Free & Operating Height.



BASE PLATE DIMENSIONS FOR C, CI, CIP & CIW (Top Plate Dim. for CI Only)

1" 25mm TYPE C, CI, CIP & CIW DIMENSIONS (inches/mm)†

Type	Size	CI Only											Type C Adjustment Bolt	Free & Operating Ht.		
		A	B	C	L	T	W	SW	HCL	HCW	MBD	SBC		C	CI&CIP	CIW
C-	A	4 102	3/8-16UNC	1 25	53/4 146	1/2 13	21/8 54	5/16 8	43/4 121	1 25	1/4 6	5 127	3/8 x 4 x 102	41/2 114	47/8 124	51/8 130
	B	53/4 146	1/2-13UNC	11/4 32	81/4 210	1/2 13	23/4 70	7/16 11	61/2 165	11/2 38	3/8 10	71/4 184	1/2 x 4 x 102	55/8 143	61/8 156	63/8 162
CI-	C	65/8 168	1/2-13UNC	11/4 32	87/8 225	9/16 14	31/2 89	7/16 11	71/4 184	13/4 44	3/8 10	77/8 200	5/8 x 41/2 x 114	55/8 143	61/8 156	63/8 162
CIP-	D	93/4 248	5/8-11UNC	†† ††	12 305	9/16 14	31/2 89	7/16 11	103/8 264	13/4 44	3/8 10	11 279	5/8 x 41/2 x 114	61/8 156	61/2 165	63/4 171
CIW-	E	121/8 308	5/8-11UNC	2 50	123/4 324	5/8 16	65/8 168	—	113/8 289	51/8 130	1/2 13	—	3/4 x 5 x 127	61/8 156	61/2 165	63/4 171
	F	16 406	3/4-10UNC	†† ††	16 406	5/8 16	7 178	—	141/2 368	51/8 130	5/8 16	—	Internal Adj Only	63/8 162	63/4 171	7 178
	G	193/4 502	3/4-10UNC	†† ††	193/4 502	3/4 19	10 254	—	183/8 467	81/4 210	5/8 16	—	Internal Adj Only	63/4 171	63/4 171	7 178

† Casting Dimensions vary ±1/8". ††Hole is in center.

TYPE 1" 25mm DEFL. C, CI, CIP & CIW RATINGS (in/mm)

Type	Size	Rated Capacity		Rated Defl.†		Spring Constant		Spring Color/ Stripe
		(lbs)	(kg)	(in)	(mm)	(lbs/in)	(kg/mm)	
1" Defl.	A-45	45	20	1.60	41	28	13	Blue
	A-75	75	34	1.50	38	50	23	Orange
	A-125	125	57	1.33	34	94	43	Brown
	A-200	200	91	1.15	29	174	79	Black
	A-310	310	141	1.00	25	310	141	Yellow
	A-400	400	181	1.00	25	400	181	Green
	A-510	510	231	1.00	25	510	231	Red
	A-625	625	283	1.00	25	625	283	White
C-	B-65	65	29	2.10	53	31	14	Brown
	B-85	85	39	2.10	53	40	18	White/Black
	B-115	115	52	2.00	51	57	26	Silver
	B-150	150	68	2.00	51	75	34	Orange
	B-280	280	127	1.60	41	174	79	Green
	B-450	450	204	1.31	33	344	156	Red
	B-750	750	340	1.12	28	670	295	White
	B-1000	1000	454	1.00	25	1000	454	Blue
CI-	B-1250	1250	567	1.00	25	1250	567	Gray
	B-1650	1650	748	1.00	25	1650	339	Black
	C-1000	1000	454	1.00	25	1000	454	Black
	C-1350	1350	612	1.00	25	1350	612	Yellow
	C-1750	1750	794	1.00	25	1750	794	Black
	C-2100	2100	953	1.00	25	2100	953	Yellow
	C-2385	2385	1082	1.00	25	2385	1082	Yellow**
	C-2650	2650	1202	1.00	25	2650	1202	Red*
C-2935	2935	1331	1.00	25	2935	1331	Red**	

*with RED core spring **with GREEN core spring
Sizes D, E, F & G use multiple C springs.

TYPE 1" 25mm DEFL. C, CI, CIP & CIW RATINGS (in/mm)

Type	Size	Rated Capacity		Rated Defl.†		Spring Constant		Spring Color/ Stripe	
		(lbs)	(kg)	(in)	(mm)	(lbs/in)	(kg/mm)		
1" Defl.	D-3500	3500	1588	1.00	25	3500	1588	Black*	
	D-4200	4200	1905	1.00	25	4200	1905	Yellow*	
	D-4770	4770	2164	1.00	25	4770	2164	Yellow**	
	D-5300	5300	2404	1.00	25	5300	2404	Red*	
	D-5870	5870	2663	1.00	25	5870	2663	Red**	
	E-7000	7000	3175	1.00	25	7000	3175	Black*	
	E-8400	8400	3810	1.00	25	8400	3810	Yellow*	
	E-9540	9540	4327	1.00	25	9540	4327	Yellow**	
C-	E-10600	10600	4808	1.00	25	10600	4808	Red*	
	E-11740	11740	5325	1.00	25	11740	5325	Red**	
	CI-	F-12600	12600	5715	1.00	25	12600	5715	Yellow*
		F-14310	14310	6490	1.00	25	14310	6490	Yellow**
CIP-		F-15900	15900	7212	1.00	25	15900	7212	Red*
		F-17610	17610	7988	1.00	25	17610	7988	Red**
CIW-	G-18900	18900	8573	1.00	25	18900	8573	Yellow*	
	G-21465	21465	9736	1.00	25	21465	9736	Yellow**	
	G-23850	23850	10818	1.00	25	23850	10818	Red*	
	G-26415	26415	11982	1.00	25	26415	11982	Red**	

SPRING CHARACTERISTICS

Size	Spring OD (in) (mm)	Free Ht. (in) (mm)	Ratio Kx/Ky	Ratio OD/OH
A-45-400	13/4 44	3 76	0.70-0.90	0.88-1.25
A-510-625	13/4 44	31/8-33/8 79-86	0.50-0.60	0.74-0.82
B	23/8 60	4 102	0.65-0.90	0.76-1.25
C	27/8 73	41/8 105	0.90-1.00	0.92

TYPE 2" 51mm DEFL. C, CI, CIP & CIW DIMENSIONS (inches/mm)†

† Casting Dimensions vary ±1/8". ††Hole is in center.

Type	Size	CI Only											Type C Adjustment Bolt	Free & Operating Ht.		
		A	B	C	L	T	W	SW	HCL	HCW	MBD	SBC		C	CI&CIP	CIW
C-	B & B2	53/4 146	1/2-13UNC	11/4 32	81/4 210	1/2 13	23/4 70	7/16 11	61/2 165	11/2 38	3/8 10	71/4 184	1/2 x 4 x 102	53/4 146	61/8 156	63/8 162
	C2	65/8 168	1/2-13UNC	11/4 32	87/8 225	9/16 14	31/2 89	7/16 11	71/4 184	13/4 44	3/8 10	77/8 200	5/8 x 41/2 x 114	61/2 165	63/4 171	7 178
CI-	D-C2	93/4 248	5/8-11UNC	†† ††	12 305	9/16 14	31/2 89	7/16 11	103/8 264	13/4 44	3/8 10	11 279	5/8 x 41/2 x 114	67/8 175	71/2 191	73/4 197
CIP-	E-C2	121/8 308	5/8-11UNC	2 50	123/4 324	5/8 16	65/8 168	— —	113/8 289	51/8 130	1/2 13	— —	3/4 x 5 x 127	67/8 175	71/2 191	73/4 197
CIW-	F-C2	16 406	3/4-10UNC	†† ††	16 406	5/8 16	7 178	— —	141/2 368	51/8 130	5/8 16	— —	Internal Adj. Only	71/8 181	73/4 197	8 203
	G-C2	193/4 502	3/4-10UNC	†† ††	193/4 502	3/4 19	10 254	— —	183/8 467	81/4 210	5/8 16	— —	Internal Adj. Only	71/8 181	73/4 197	8 203

TYPE 2" 51mm DEFL. C, CI, CIP & CIW RATINGS (in/mm)

Type	Size	Rated Capacity (lbs) (kg)		Rated Defl. [†] (in) (mm)	Mount Constant (lbs/in) (kg/mm)		Spring Color/Stripe	
2" Defl.	B-20	20	9	2.40	61	8	4	Tan
	B-26	26	12	2.18	55	12	5	White/Blue
	B-35	35	16	2.20	56	16	7	Purple
	B-50	50	23	2.20	56	24	11	White/Red
	B-65	65	29	2.10	53	31	14	Brown
	B-85	85	39	2.10	53	40	18	White/Black
	B-115	115	52	2.00	51	57	26	Silver
	B-150	150	68	2.00	51	75	34	Orange
C-	B2-210	210	95	2.12	54	99	45	Silver
	B2-290	290	132	2.00	51	144	65	Blue
	B2-450†	450	204	2.00	51	224	102	Tan
	B2-680†	680	308	2.00	51	340	154	Gray
CI-	C2-125	125	57	2.50	64	50	23	Purple
	C2-170	170	77	2.40	61	70	32	Brown
	C2-210	210	95	2.30	58	90	41	Red
	C2-260	260	118	2.20	56	120	55	White
CIP-	C2-330	330	150	2.00	51	165	75	Black
	C2-460	460	209	2.00	51	230	104	Blue
	C2-610	610	277	2.00	51	305	138	Green
	C2-880†	880	399	2.00	51	440	200	Gray
CIW-	C2-1210†	1210	549	2.00	51	605	274	Silver
	C2-1540†	1540	698	2.00	51	770	349	Gray*
	C2-1870†	1870	848	2.00	51	935	424	Silver*
	D-C2-2420†	2420	1098	2.00	51	1210	549	Silver
	D-C2-3080†	3080	1397	2.00	51	1540	699	Gray*
	D-C2-3740†	3740	1696	2.00	51	1870	848	Silver*
	E-C2-3520†	3520	1597	2.00	51	1260	572	Gray
	E-C2-4840†	4840	2195	2.00	51	2420	1098	Silver
E-C2-6160†	6160	2794	2.00	51	3080	1397	Gray*	
E-C2-7480†	7480	3393	2.00	51	3740	1696	Silver*	

TYPE 2" 51mm DEFL. C, CI, CIP & CIW RATINGS (in/mm)

Type	Size	Rated Capacity (lbs) (kg)		Rated Defl. [†] (in) (mm)	Mount Constant (lbs/in) (kg/mm)		Spring Color/Stripe	
2" Defl. C-	F-C2-7260†	7260	3293	2.00	51	3630	1647	Silver*
	F-C2-9240†	9240	4191	2.00	51	4620	2096	Gray*
	F-C2-11220†	11220	5089	2.00	51	5610	2545	Silver*
CIP-CIW-	G-C2-10890†	10890	4940	2.00	51	5445	2470	Silver*
	G-C2-13860†	13860	6287	2.00	51	6930	3143	Gray*
CIW-	G-C2-16830†	16830	7964	2.00	51	8415	3817	Silver*

†Published ratings allow minimum 25% additional travel to solid. For a full 50% specified minimum use the following ratings:

Size	Derated Capacity (lbs) (kg)	Defl (in) (mm)	Size	Derated Capacity (lbs) (kg)	Defl (in) (mm)
B2-450	410	1.86	E-C2-3520	3200	1.82
B2-680	565	1.66	E-C2-4840	4040	1.67
C2-880	800	1.82	E-C2-6160	5145	1.67
C2-1210	1010	1.67	E-C2-7480	6245	1.67
C2-1540	1285	1.67	F-C2-7260	6060	1.67
C2-1870	1560	1.67	F-C2-9240	7715	1.67
D-C2-2420	2020	1.67	F-C2-11220	9370	1.67
D-C2-3080	2570	1.67	G-C2-10890	9095	1.67
D-C2-3740	3120	1.67	G-C2-13860	11575	1.67
			G-C2-16830	14055	1.67

SPRING CHARACTERISTICS

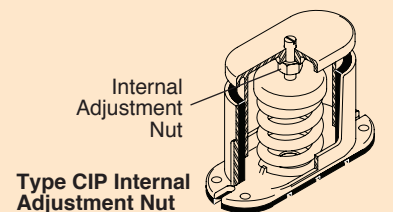
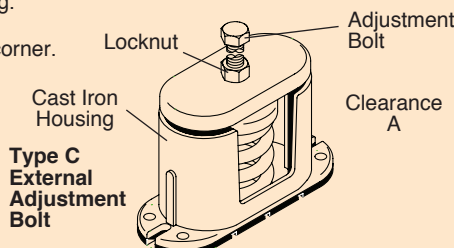
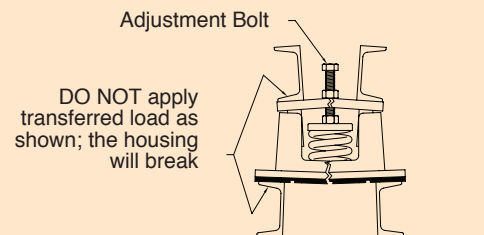
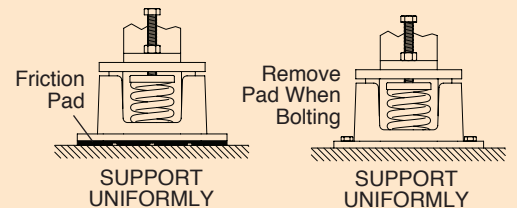
Size	Spring OD (in) (mm)	Free Ht. (in) (mm)	Ratio Kx/Ky	Ratio OD/OH		
B	23/8	60	4	102	0.55-0.65	0.95-1.00
B2	23/8	60	4 1/2	114	0.80-0.90	1.19-1.48
C2	27/8	73	5	127	0.63-0.85	0.96-1.15

All springs without "†" have additional travel to solid equal to 50% of the rated deflection. * with RED core spring

Type C and CIP Spring Mount Installation Instructions

Type C housings are Cast Iron. They perform well but improper installation can cause failure. Supporting surfaces must be flat, continuous and level under mounts. Relative elevations must be no more than 1/2" from the highest to the lowest position. Grout or provide full size spacers to compensate for large differences.

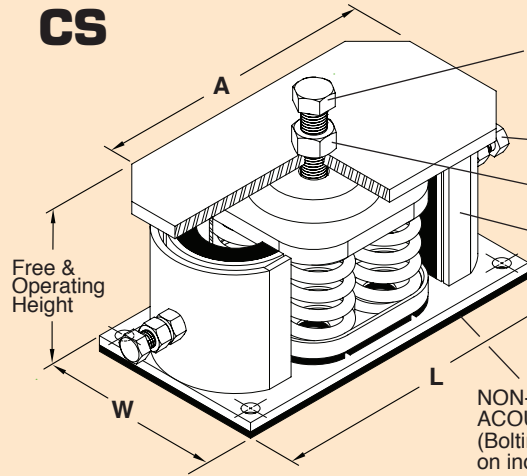
- Mountings are supplied with friction pads cemented to the bottom. In most cases, there is no need to bold the mounting down. When bolting is required, remove bottom pad before bolting. Bolt tightening with pad in place often cracks or breaks bottom housing across the center or around bolt holes.
- When equipment is mounted directly on Type "C" Mounts, place mountings under equipment bolt holes and install the mounting adjustment bolts as shown above. The load must be around the adjustment bolt. Neither the top or bottom housings can be used as a bridge.
- Take 6 initial complete downward (clockwise) turns on the adjustment bolt or internal adjustment nut of all mounts. After first round, reduce number to 2 equal turns on all mounts. Repeat this procedure as many times as necessary until clearance "A" is a minimum of 1/4" for direct mounting or equipment lifts off temporary blocking.
- Level equipment by taking additional turns on low side or corner.
- Tighten lock nut against equipment base if external adjustment.



NOTE: Mason Industries, Inc. will not replace mountings installed improperly.

1" and 2" Deflection SINGLE and MULTIPLE SPRING MOUNTS

CS



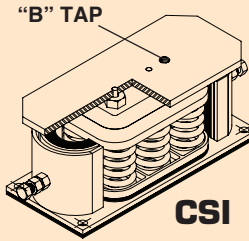
TOP ACCESS ADJUSTMENT BOLT— Turn clockwise to load spring and maintain Free & Operating Height. Bolt length is suitable for 1" 25mm maximum Equipment Base thickness.

SNUBBER ADJUSTMENT BOLTS— (each side) tighten to vary damping

LOCKNUT

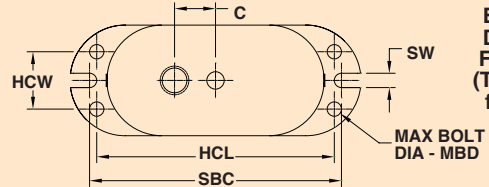
FERROUS HOUSING

NON-SKID NEOPRENE ACOUSTICAL ISOLATION PAD (Bolting to floor is not necessary on indoor applications)



CSI

CSI Mounts have **SIDE ACCESS INTERNAL ADJUSTMENT BOLTS**. Turn clockwise to load spring and maintain Free & Operating Height.



BASE PLATE DIMENSIONS FOR CS & CSI (Top Plate Dim. for CSI Only)

1" 25mm & 2" 50mm TYPE CS & CSI DIMENSIONS (inches/mm)†

Type	Size	CSI Only										Adjustment Bolt (Both CS & CSI)	1" 25mm Free & Operating Height CS	2" 50mm Free & Operating Height CS		
		A	B	C	L	T	W	HCL	HCW	MBD	SBL					
CS-	C & C2	73/4 197	5/8-11UNC	11/4 32	10 254	5/8 16	4 102	83/4 222	23/4 121	1/2 13	12 305	5/8 x 41/2 x 114	57/8 149	63/4 171	63/4 171	75/8 194
	D & D2	11 279	5/8-11UNC	—	131/4 337	5/8 16	4 102	12 305	23/4 121	1/2 13	151/4 311	5/8 x 41/2 x 114	63/4 171	63/4 171	75/8 194	75/8 194
	E & E2	127/8 327	3/4-10UNC	11/4 32	127/8 327	5/8 16	7 178	113/8 289	51/8 130	1/2 13	167/8 429	3/4 x 5 x 127	63/4 171	63/4 171	75/8 194	75/8 194
CSI-	F & F2	16 406	3/4-10UNC	—	16 406	3/4 19	7 178	141/2 368	51/8 130	1/2 13	20 508	1 x 4 x 102	Use CSI	63/4 171	Use CSI	75/8 194
	G & G2	193/4 502	1-8UNC	—	193/4 502	3/4 19	10 254	183/8 467	81/4 210	1/2 13	233/4 603	1 x 4 x 102	Use CSI	63/4 171	Use CSI	75/8 194
	H & H2	231/2 597	1-8UNC	—	231/2 597	3/4 19	10 254	22 559	81/4 210	1/2 13	271/2 699	11/4 x 5 x 127	Use CSI	63/4 171	Use CSI	75/8 194

† Casting Dimensions vary ±1/8". ††Hole is in center.

TYPE 1" 25mm DEFL. CS & CSI RATINGS (in/mm)

Type	Size	Rated Capacity (lbs) (kg)		Rated Defl.† (in) (mm)		Mount Constant (lbs/in) (kg/mm)		Spring Color/Stripe
CS-	C-1000	1000	454	1.00	25	1000	454	Black
	C-1350	1350	612	1.00	25	1350	612	Yellow
	C-1750	1750	794	1.00	25	1750	794	Black
	C-2100	2100	953	1.00	25	2100	953	Yellow*
	C-2385	2385	1082	1.00	25	2385	1082	Yellow**
	C-2650	2650	1202	1.00	25	2650	1202	Red*
	C-2935	2935	1331	1.00	25	2935	1331	Red**
	D-3500	3500	1588	1.00	25	3500	1588	Black*
	D-4200	4200	1905	1.00	25	4200	1905	Yellow*
	D-4770	4770	2164	1.00	25	4770	2164	Yellow**
CSI-	D-5300	5300	2404	1.00	25	5300	2404	Red*
	D-5870	5870	2663	1.00	25	5870	2663	Red**
	E-7000	7000	3175	1.00	25	7000	3175	Black*
	E-8400	8400	3810	1.00	25	8400	3810	Yellow*
	E-9540	9540	4327	1.00	25	9540	4327	Yellow**
	E-10600	10600	4808	1.00	25	10600	4808	Red*
	E-11740	11740	5325	1.00	25	11740	5325	Red**
	F-12600	12600	5715	1.00	25	12600	5715	Yellow*
	F-14310	14310	6491	1.00	25	14310	6491	Yellow**
	F-15900	15900	7212	1.00	25	15900	7212	Red*
F-17610	17610	7988	1.00	25	17610	7988	Red**	
G-	G-18900	18900	8573	1.00	25	18900	8573	Yellow*
	G-21465	21465	9736	1.00	25	21465	9736	Yellow**
H-	H-25200	25200	11431	1.00	25	25200	11431	Yellow*
	H-28620	28620	12982	1.00	25	28620	12982	Yellow**
	H-31800	31800	14424	1.00	25	31800	14424	Red*
	H-35220	35220	15975	1.00	25	35220	15975	Red**

TYPE 2" 50mm DEFL. CS & CSI RATINGS (in/mm)

Type	Size	Rated Capacity (lbs) (kg)		Rated Defl.† (in) (mm)		Mount Constant (lbs/in) (kg/mm)		Spring Color/Stripe	
CS-	C2-125	125	57	2.50	64	50	23	Purple	
	C2-170	170	77	2.40	61	70	32	Brown	
	C2-210	210	95	2.30	58	90	41	Red	
	C2-260	260	118	2.20	56	120	55	White	
	C2-330	330	150	2.00	51	165	75	Black	
	C2-460	460	209	2.00	51	230	104	Blue	
	C2-610	610	277	2.00	51	305	138	Green	
	C2-880†	880	399	2.00	51	440	200	Gray	
	C2-1210†	1210	549	2.00	51	605	274	Silver	
	C2-1540†	1540	698	2.00	51	770	349	Gray*	
	C2-1870†	1870	848	2.00	51	935	424	Silver*	
	D-	D-C2-2420†	2420	1098	2.00	51	1210	549	Silver
		D-C2-3080†	3080	1397	2.00	51	1540	699	Gray*
		D-C2-3740†	3740	1696	2.00	51	1870	848	Silver*
	E-	E-C2-3520†	3520	1597	2.00	51	1260	572	Gray
E-C2-4840†		4840	2195	2.00	51	2420	1098	Silver	
E-C2-6160†		6160	2794	2.00	51	3080	1397	Gray*	
E-C2-7480†		7480	3393	2.00	51	3740	1696	Silver*	
F-C2-9240†		9240	4191	2.00	51	4620	2096	Gray*	
F-C2-11220†		11220	5089	2.00	51	5610	2545	Silver*	
G-	G-C2-13860†	13860	6287	2.00	51	6930	3143	Gray*	
	G-C2-16830†	16830	7634	2.00	51	8415	3817	Silver*	
	H-C2-18480†	18480	8382	2.00	51	9240	4191	Gray*	
H-C2-22440†	22440	10179	2.00	51	11220	5089	Silver*		

All springs without "†" have additional travel to solid equal to 50% of the rated deflection.

*with RED core spring

†Published ratings allow minimum 25% additional travel to solid. For a full 50% specified minimum use the ratings table on page 3.



MASON INDUSTRIES, INC.

350 Rabro Drive • Hauppauge, NY 11788 • 631/348-0282 • FAX 631/348-0279

2101 W. Crescent Ave., Suite D • Anaheim, CA 92801 • 714/535-2727 • FAX 714/535-5738