

SUBMITTAL RECORD

JOB _____
 LOCATION _____
 SUBMITTED TO _____
 SUBMITTAL PREPARED BY _____
 APPROVED BY _____
 DATE _____



**Submittal Form
 Rapit® Drop-In
 Deck Hanger**

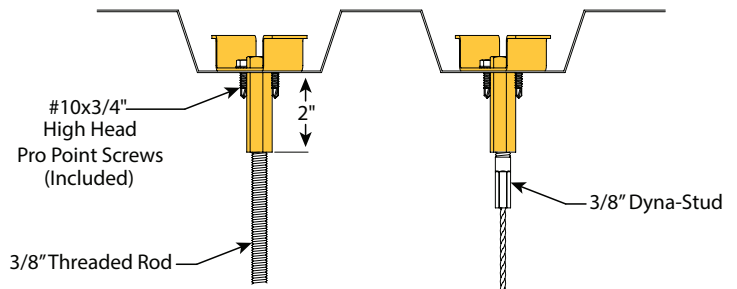
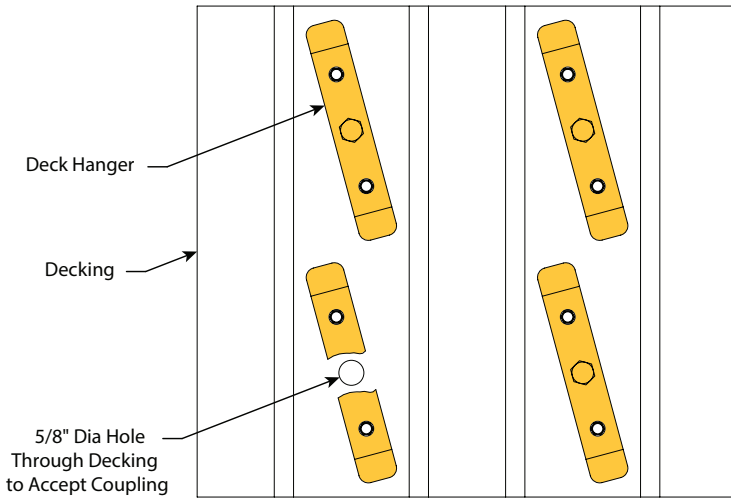
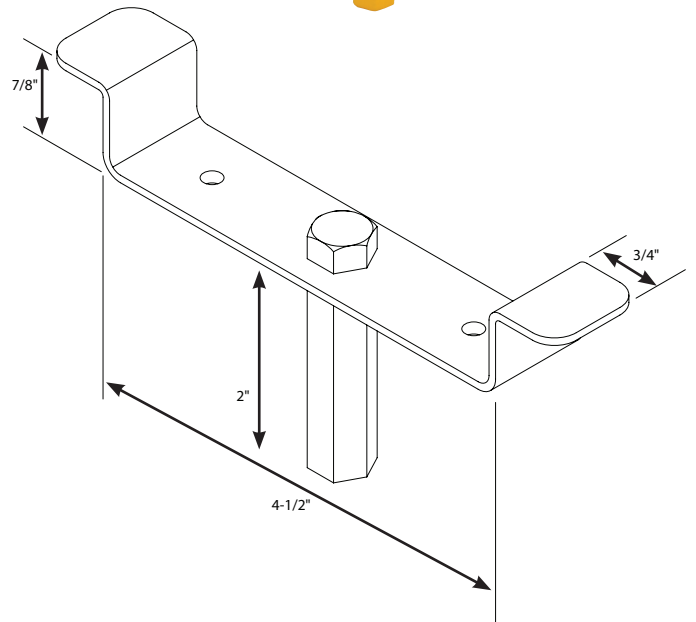
DESCRIPTION

The Rapit Drop-In Deck Hanger from Duro Dyne is designed for installation in concrete-filled metal deck applications. RDI Deck Hangers are installed before pouring the concrete, to reduce installation costs and increase strength values. Once installed, the insert hangs below the deck surface for easy installation of threaded rod or Dyna-Studs.

FEATURES:

- 3/8" diameter UNC female threads
- Fast & easy to install
- Low profile for less trip hazard on jobsite
- 10x3/4 High Head Pro Point screws included for convenient installation
- Yellow powder coating for durability & easy identification
- Can be used through or between ribs on metal decking
- Internal threads eliminate the need for couplings
- Multi-position screw holes for solid deck mounting
- Can be used with BIM location systems

Static Maximum Load: 6,000 lbs.



Item #	Code	Description	Quantity
30339	RDI38	3/8 in Rapit® Drop-In Deck Hanger	50/Box

