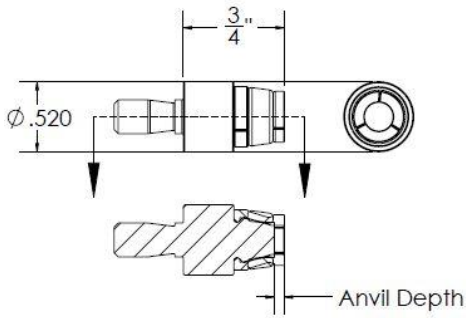
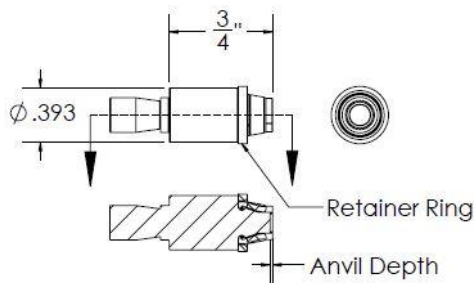


Insert 'A' Style Round Die

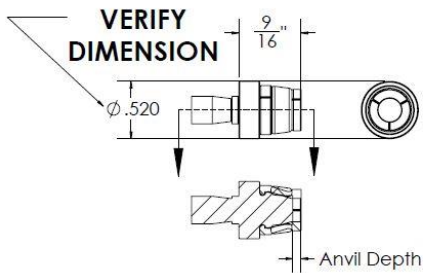


Load Capacity (lbs)	Shape	Anvil Diameter	Die Height	Anvil Depth	Name	Colour Code	Part Number
Up to 8000 (Medium)	Round	0.520"	3/4"	0.030"	#30	Yellow	403947
				0.040"	#40	Blue	403961
				0.050"	#50	Red	403977
				0.060"	#60	Green	406601

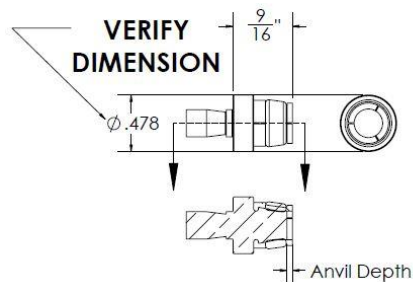


Load Capacity (lbs)	Shape	Anvil Diameter	Die Height	Anvil Depth	Name	Colour Code	Part Number
Up to 4000 (Light)	Round	0.393"	3/4"	0.020"	#20	White	413741
				0.025"	#25	Purple	412744
				0.030"	#30	Yellow	406709
				0.040"	#40	Blue	406713

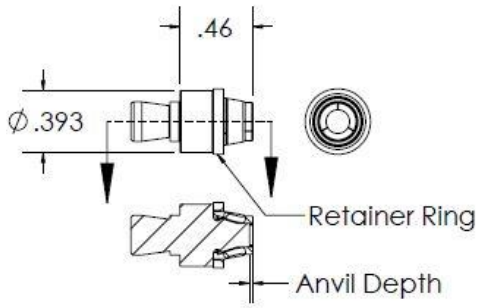
Insert Round Die



Load Capacity (lbs)	Shape	Anvil Diameter	Die Height	Anvil Depth	Name	Colour Code	Part Number
Up to 8000 (Medium)	Round	0.520"	9/16"	0.030"	#30	Yellow	405061
				0.040"	#40	Blue	405063
				0.050"	#50	Red	405065
				0.060"	#60	Green	405067

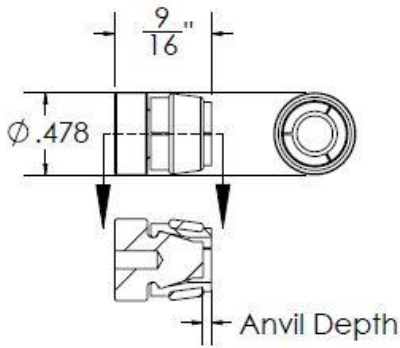


Load Capacity (lbs)	Shape	Anvil Diameter	Die Height	Anvil Depth	Name	Colour Code	Part Number
Up to 8000 (Medium)	Round	0.478"	9/16"	0.030"	#30	Yellow	MP70000
				0.040"	#40	Blue	MP70001
				0.050"	#50	Red	MP70002

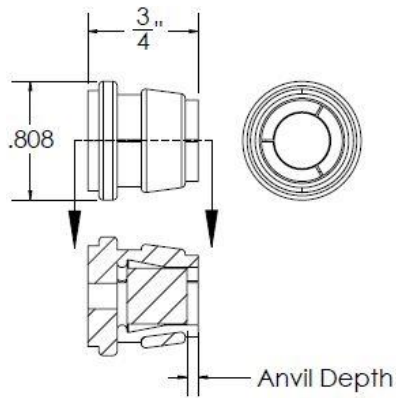


Load Capacity (lbs)	Shape	Anvil Diameter	Die Height	Anvil Depth	Name	Colour Code	Part Number
Up to 4000 (Light)	Round	0.393"	0.460"	0.020"	#20	White	403815
				0.025"	#25	Purple	403941
				0.030"	#30	Yellow	403942

Stemless Threaded Round Die

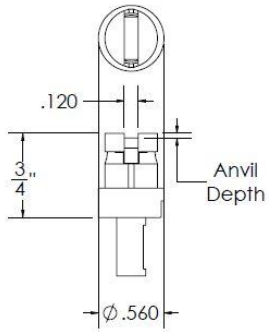


Load Capacity (lbs)	Shape	Anvil Diameter	Die Height	Anvil Depth	Name	Colour Code	Part Number
Up to 8000 (Medium)	Round	0.478"	9/16"	0.030"	#30	Yellow	006726.30
				0.040"	#40	Blue	006726.40
				0.050"	#50	Red	006726.50

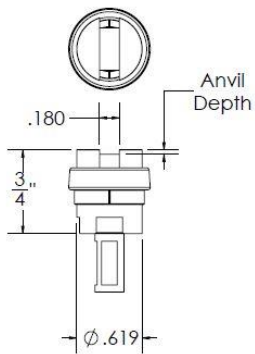


Load Capacity (lbs)	Shape	Anvil Diameter	Die Height	Anvil Depth	Name	Colour Code	Part Number
Up to 16,000 (Heavy)	Round	0.808"	3/4"	0.030"	#30	Yellow	415072
				0.040"	#40	Blue	415074
				0.050"	#50	Red	415076
				0.060"	#60	Green	415078
				0.070"	#70	Orange	415080

Insert Rectangular Die



Load Capacity (lbs)	Shape	Blade Spacing	Anvil Diameter	Die Height	Anvil Depth	Name	Colour Code	Part Number
Up to 8000 (Medium)	Rectangular	0.120"	0.560"	3/4"	0.020"	#20	White	413798
					0.030"	#30	Yellow	413800
					0.040"	#40	Blue	413802
					0.050"	#50	Red	413804
					0.060"	#60	Green	416168
					0.070"	#70	Orange	416170



Load Capacity (lbs)	Shape	Blade Spacing	Anvil Diameter	Die Height	Anvil Depth	Name	Colour Code	Part Number
Up to 16,000 (Heavy)	Rectangular	0.180"	0.619"	3/4"	0.030"	#30	Yellow	417359
					0.040"	#40	Blue	417361
					0.050"	#50	Red	417363
					0.060"	#60	Green	417365
					0.070"	#70	Orange	417367