



FIRE DAMPER



75CR



75C-REC



75CO

MODEL:
75C (1-1/2 HR rating)
75CR (1-1/2 HR rating)
75CO (1-1/2 HR rating)

APPLICATION

The model 75C is a fire damper with blades and frames "Out of Air Stream". It is approved for use in walls, floors, and partitions with fire resistance ratings less than 2 hours. This model carries a 1-1/2 hour UL fire damper label.

RATING:

UL CLASSIFIED:

UL 555 Fire Resistance Rating
 Fire resistance rated 1-1/2 Hours
 Partitions rated 2 Hours or less

Standard Construction

- Frame: 22 Ga. galvanized steel
- Blade: 22 Ga. galvanized steel
- Closure Spring: Stainless steel
- Fusible Link: 165°F
- Mounting: Horizontal or vertical

Optional Material:

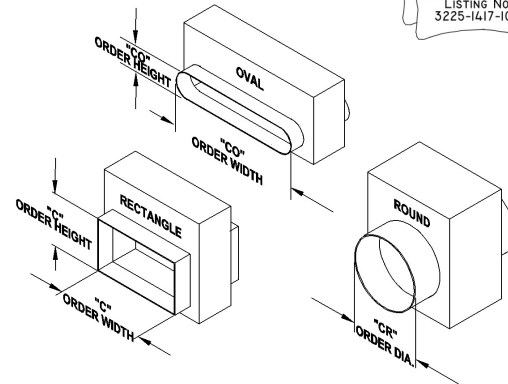
Type 316 stainless steel

Model 75C meets the requirements for fire dampers established by:

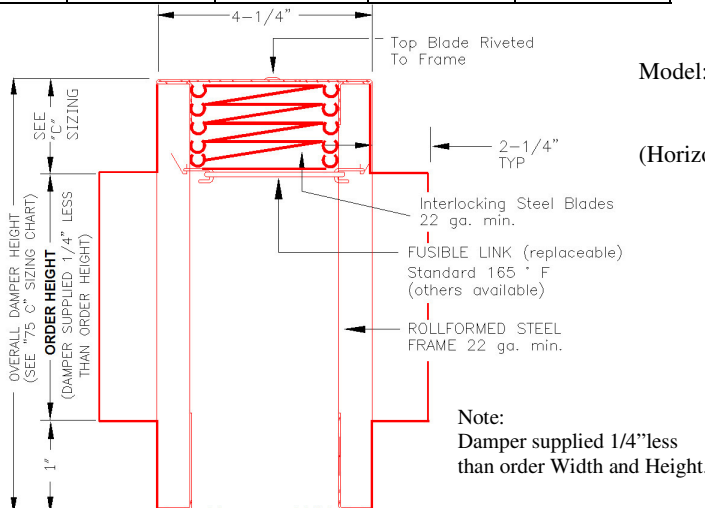
**CSFM California State Fire Marshal
 Fire Damper Listing (#3225-1417:102)**



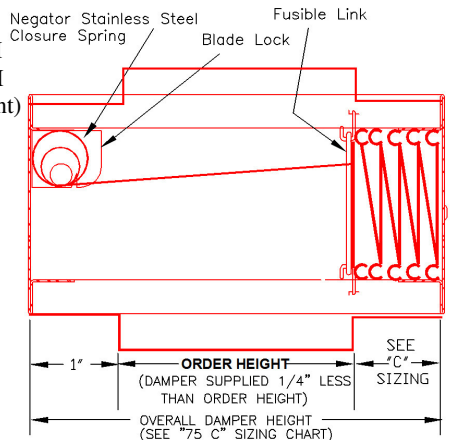
	Single Section			
	Maximum Section (WxH)	Maximum Duct Size (WxH)	Minimum Diameter	Maximum Diameter
Vertical	60"x60"	120"x120"	3"	52"
Horizontal	60"x60"	60"x60"	3"	52"



Model: 75CV
 75CRV
 75COV
 (Vertical Mount)



Model: 75CH
 75CRH
 75COH
 (Horizontal Mount)



231 Commerce Dr. Montgomeryville, PA 18936
 Tel: 215-412-4445 Fax: 215-412-4409
 Email: lloydind@firedamper.com

138 Industrial Loop West, Orange Park, FL 32073
 Tel: 904-541-1655 Fax: 904-541-1657
 Email: lloydind1@firedamper.com

B1, 4/F., Luen Ming Hing Factory Building
 36 Mok Cheong St.,
 To Kwa Wan, Kowloon, H. K.
 Tel: 852-2760-4188 Fax: 852-2760-4177
 Email: tatanlexyim@lloydasia.com

