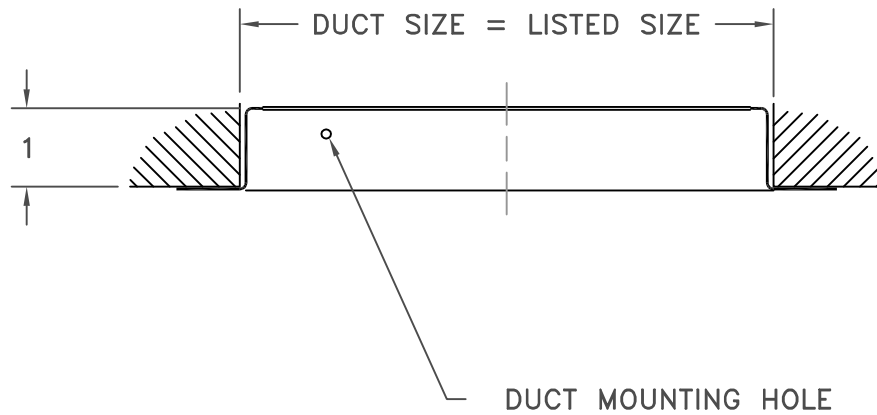
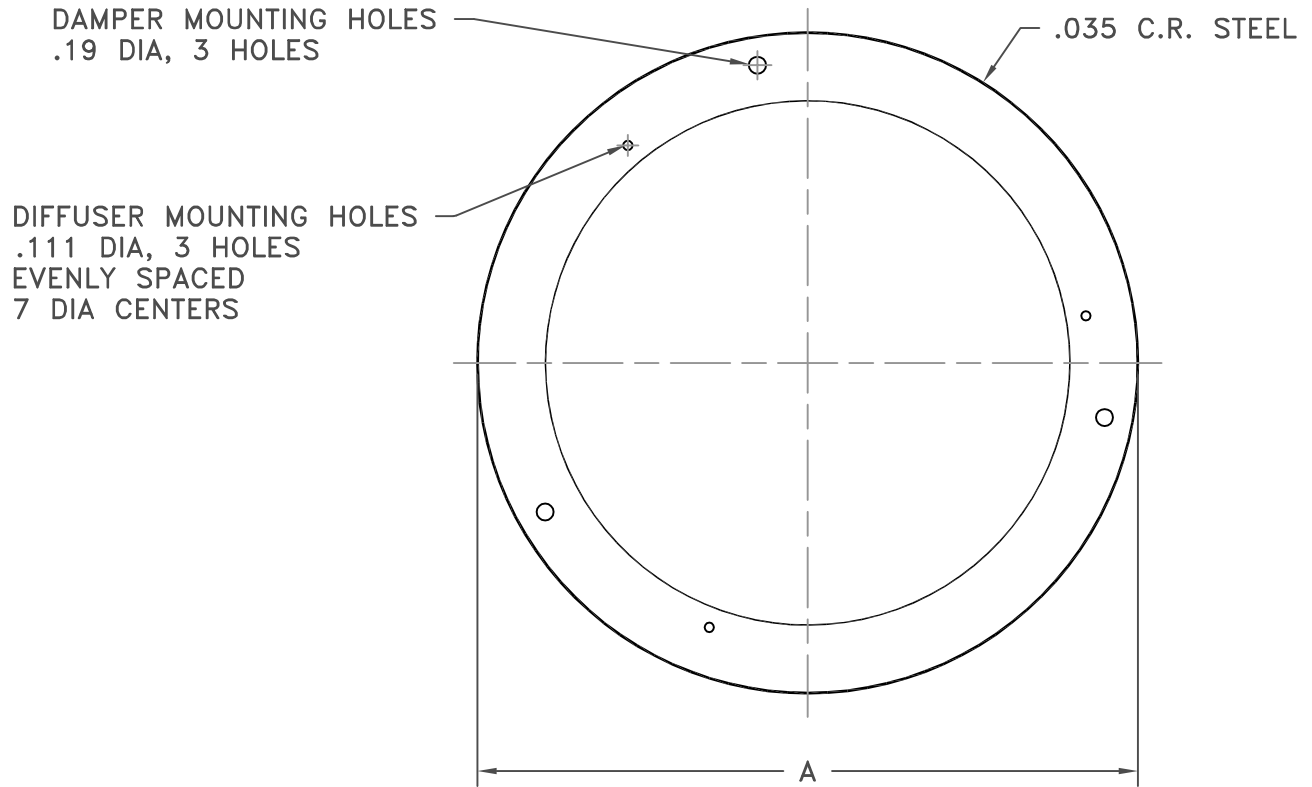


- ALL STEEL CONSTRUCTION
- FINISH: GOLDEN SAND (GS) ENAMEL



| SIZE | A |
|------|----------|
| 6 | 7-1/2 |
| 8 | 9-1/2 |
| 10 | 10-7/8 |
| 12 | 12-7/8 |
| 14 | 14-7/8 |
| 18 | 18-13/16 |

| | | | |
|-------------------|----------------------------|------------------|---------|
| JOB NAME: _____ | SUBMITTED BY: _____ | DATE: 08/26/2013 | SD-2200 |
| LOCATION: _____ | NO. 11 Duct Ring | | |
| ARCHITECT: _____ | | | |
| ENGINEER: _____ | | | |
| CONTRACTOR: _____ | | | |