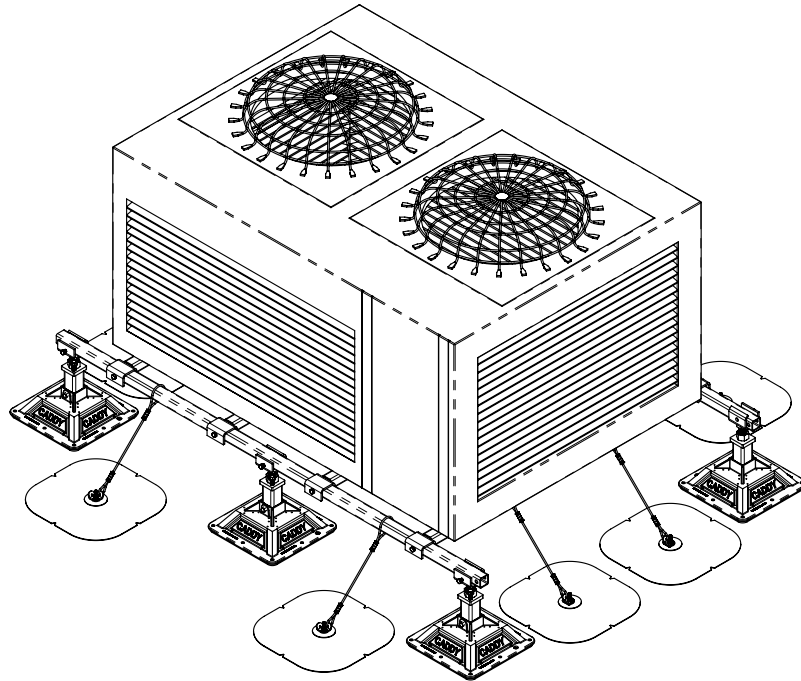
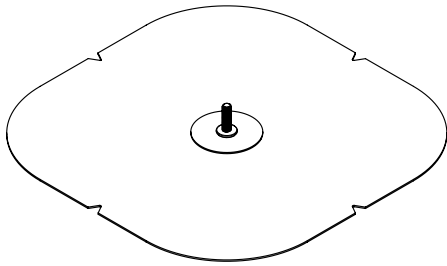


nVent CADDY Pyramid Rooftop Anchor System



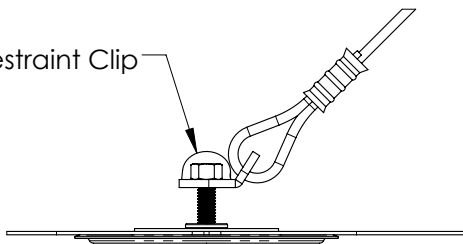
STEP 1:



Step 1: Install the rooftop anchor, purchased separately. Ensure that anchor is installed so that the cable will be at a 45° angle when installation is complete. Refer to the instruction sheet included with the anchor or www.nVent.com for installation instructions. Ensure the screws are snug, but not so tight as to create a depression in the roof assembly.

Universal Restraint Clip

STEP 2:



Step 2: Install the Universal Restraint Clip (URC) so the top of the nut is flush with the top of the bolt.

WARNING:

1. nVent products shall be installed and used only as indicated in nVent product instruction sheets and training materials. Instruction sheets are available at www.nVent.com and from your nVent customer service representative.
2. nVent products must never be used for a purpose other than the purpose for which they were designed or in a manner that exceeds specified load ratings.
3. All instructions must be **completely** followed to ensure proper and safe installation and performance.
4. Improper installation, misuse, misapplication or other failure to completely follow nVent's instructions and warnings may cause product malfunction, property damage, serious bodily injury and/or death, and void your warranty.
5. Products that are manufactured using spring steel components shall be used only in a non-corrosive indoor environment.
6. All pipe supports, hangers, intermediate components and structural attachments must **ONLY** be used as described herein and are **NEVER** to be used for any other purpose.

NOTE: All load ratings are for static conditions and do not account for dynamic loading such as wind, water or seismic loads, unless otherwise noted.

The customer is responsible for:

- a. Conformance to all governing codes.
- b. The integrity of structures to which the products are attached, including their capability of safely accepting the loads imposed, as evaluated by a qualified engineer.
- c. Using appropriate industry standard hardware as noted above.

SAFETY INSTRUCTIONS:

All governing codes and regulations and those required by the job site must be observed. Always use appropriate safety equipment such as eye protection, hard hat, and gloves as appropriate to the application.

nVent, nVent CADDY, nVent ERICO Cadweld, nVent ERICO Critec, nVent ERICO, nVent ERIFLEX, and nVent LENTON are owned by nVent or its global affiliates. All other trademarks are the property of their respective owners. nVent reserves the right to change specifications without prior notice.

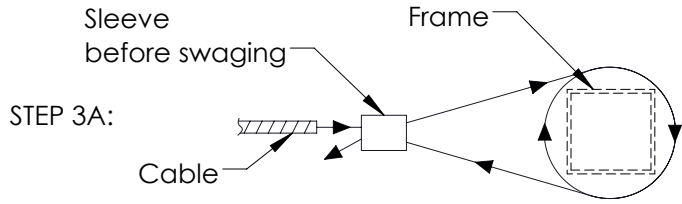
TECHNICAL SUPPORT:
www.nVent.com

CFS581_A

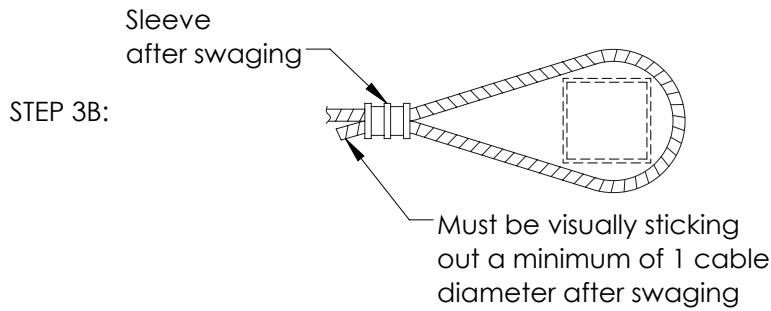
1 OF 2

© 2018 nVent All Rights Reserved

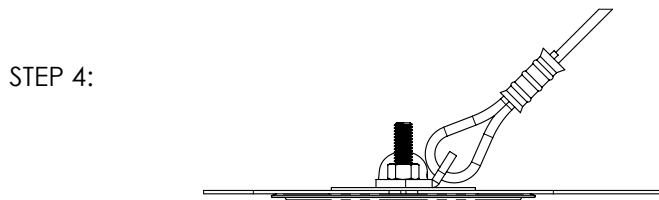




Step 3A: Insert cable through the sleeve, wrap the cable around the frame two times, and then back through the sleeve to create a loop.



Step 3B: The sleeve must be swaged from one end of sleeve to the other using an approved swaging tool from nVent. The tail of the cable must be visually sticking out of the sleeve after swaging. Refer to the manufacturer's swaging tool instruction sheet for the number of swages needed per cable size and for gaging instructions. Ensure that there is no excess slack in the cable and that the cable will not move after tensioning.



Step 4: Tighten the nut down to 20 ft-lbs to remove any additional slack and to tension the cable. Ensure that after installation, the cable is at a 45° angle and the URC is flush with the top of the anchor.

