

nVent CADDY Pyramid Rooftop Anchor System PVC/TPO/KEE Anchor

**These instructions are for PVC, TPO, and KEE mechanically attached or fully adhered roof systems.*

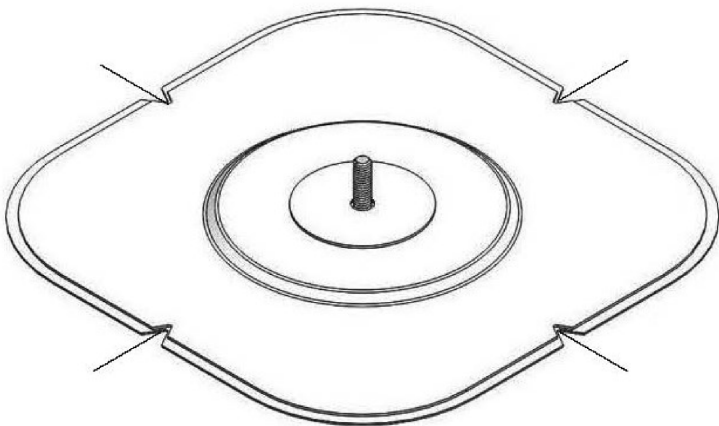
Before You Start:

Inspect the existing roof with a qualified professional to ensure that it is in good condition and meets local codes and manufacturer's warranty requirements. Weldability of the membrane should be verified when determining suitability of the roof. Contact nVent Customer Care for a list of qualified installation professionals.

Layout:

Appropriate frequency and spacing of the attachment points should be determined by a qualified professional for seismic requirements, compressive strength of the roofing assembly, structural load capacity, and local building code requirements. Installation should be done by a qualified professional to maintain roof warranty requirements. Convey the designed layout onto the roof surface, creating crosshatches. Pair the alignment marks on each side of the anchor with the crosshatches previously prepared on the roof surface. Clean the surface where CRAU24XXXX will be adhered to the roof with a manufacturer approved cleaner.

Prior to adhering the Anchor mount into place, be sure the placement is accurate



Step 1: Once properly aligned, fasten the plate to the deck with the approved fasteners from nVent. Use 8 screws, purchased separately.

WARNING:

1. nVent products shall be installed and used only as indicated in nVent product instruction sheets and training materials. Instruction sheets are available at www.nVent.com and from your nVent customer service representative.
2. nVent products must never be used for a purpose other than the purpose for which they were designed or in a manner that exceeds specified load ratings.
3. All instructions must be completely followed to ensure proper and safe installation and performance.
4. Improper installation, misuse, misapplication or other failure to completely follow nVent's instructions and warnings may cause product malfunction, property damage, serious bodily injury and/or death, and void your warranty.
5. Products that are manufactured using spring steel components shall be used only in a non-corrosive indoor environment.
6. All pipe supports, hangers, intermediate components and structural attachments must **ONLY** be used as described herein and are **NEVER** to be used for any other purpose.

NOTE: All load ratings are for static conditions and do not account for dynamic loading such as wind, water or seismic loads, unless otherwise noted.

The customer is responsible for:

- a. Conformance to all governing codes.
- b. The integrity of structures to which the products are attached, including their capability of safely accepting the loads imposed, as evaluated by a qualified engineer.
- c. Using appropriate industry standard hardware as noted above.

SAFETY INSTRUCTIONS:

All governing codes and regulations and those required by the job site must be observed. Always use appropriate safety equipment such as eye protection, hard hat, and gloves as appropriate to the application.

nVent, nVent CADDY, nVent ERICO Cadweld, nVent ERICO Critec, nVent ERICO, nVent ERIFLEX, and nVent LENTON are owned by nVent or its global affiliates. All other trademarks are the property of their respective owners. nVent reserves the right to change specifications without prior notice.

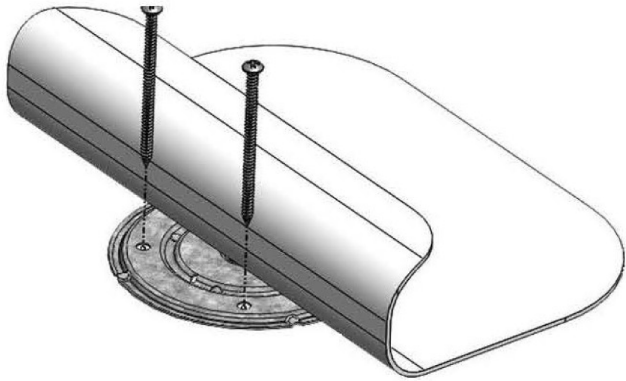
TECHNICAL SUPPORT:
www.nVent.com

CFS586_A

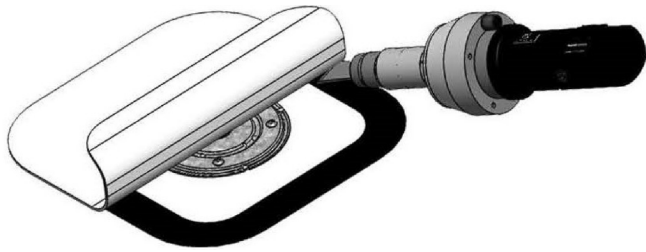
1 OF 2

© 2018 nVent All Rights Reserved





Step 2: Tack weld around the plate.



Step 3: Hot air weld the perimeter edge of the target to the corresponding fully adhered roof surface with a 2" wide weld. Apply seam sealant, if needed, in accordance with roof manufacturer's instructions.

Step 4: Install ancillary components using a stainless steel 3/8"-16 nut and lock washer. The recommended torque for the CRAU24XXXX is 20\25 ft lbs.