



**STANDARD CONSTRUCTION**

MATERIAL:  
6061-T6 ALUMINUM EXTRUSION

OPTIONS:  
HEAVY DUTY OPTION AVAILABLE  
CUSTOM SIZES AVAILABLE

STANDARD SIZES:

	HEIGHT (H)	MOUNTING HEIGHTS	SUPPORT WIDTHS AVAILABLE (CHOOSE ONE)		
APS20	20.5"	18" 14"	18"	24"	36"
APS26	26.5"	24" 20"	18"	24"	36"

**FEATURES**

6061-T6 ALUMINUM PROVIDES EXCELLENT CORROSION RESISTANCE AND LONGEVITY.

1/4" THICK BASEPLATE ALLOWS FOR SOLID SUPPORT.

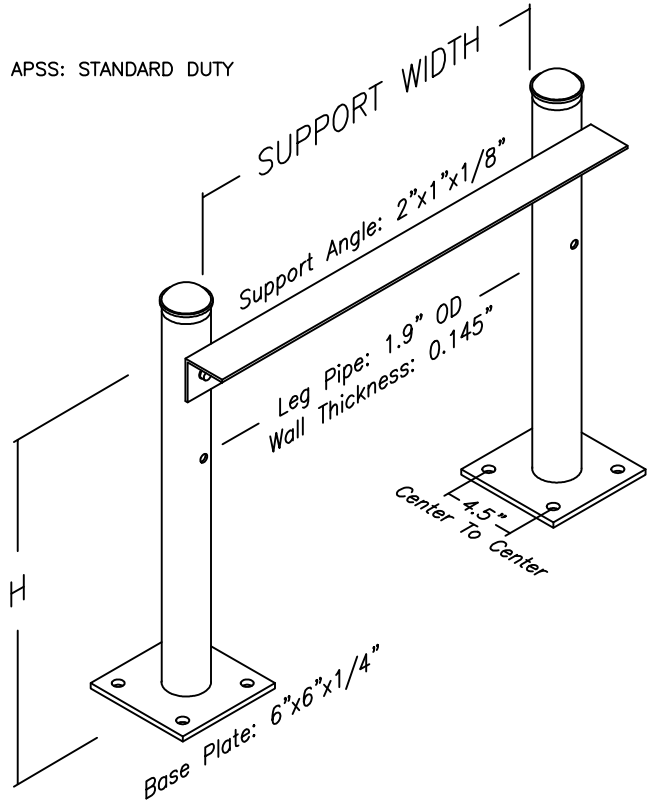
HEAVY DUTY WELDS AT BASE PROVIDE SUPERIOR STRENGTH.

NO FIELD WELDING REQUIRED.

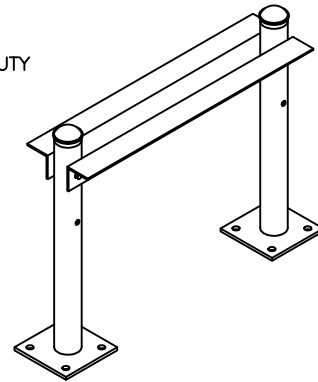
MULTIPLE CONFIGURATIONS AVAILABLE TO SUIT ANY NEED.

UNITS FULLY MODULAR AND INTERCHANGABLE WITH OTHERS FROM THE SAME SERIES, PROVIDING THE INSTALLER WITH GREATER FLEXIBILITY.

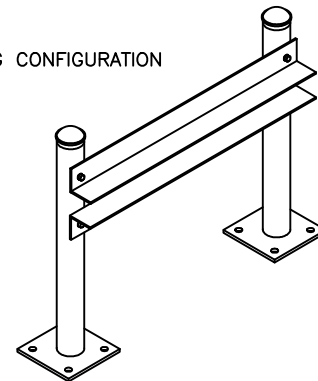
APSS: STANDARD DUTY



APSH: HEAVY DUTY



APSH: CLAMPING CONFIGURATION



JOB NAME:
LOCATION:
ARCHITECT:
ENGINEER:
CONTRACTOR:
CONTACT MIAMI TECH INC. FOR ADDITIONAL INFORMATION OR WITH SPECIAL REQUIREMENTS. 3611 NW 74TH ST MIAMI, FL 33147 PHONE: 305-693-7054 FAX: 305-693-6152 WEB: WWW.MIAMITECH.COM EMAIL: SALES@MIAMITECH.COM

**APS**

ALUMINUM PIPE STAND  
PRODUCT SPECIFICATIONS



DRAWN BY:	AF	DATE:	10/05/07	SCALE:	NOT TO SCALE	DRAWING NO.	APS
CHECKED BY:	IG	DATE:	08/29/16	REVISION:	3		