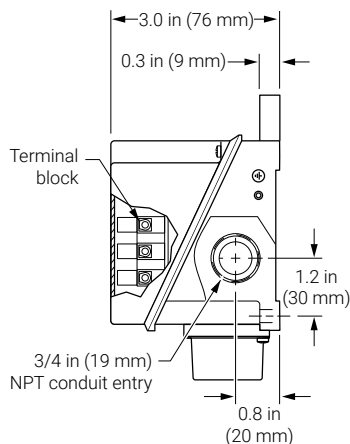
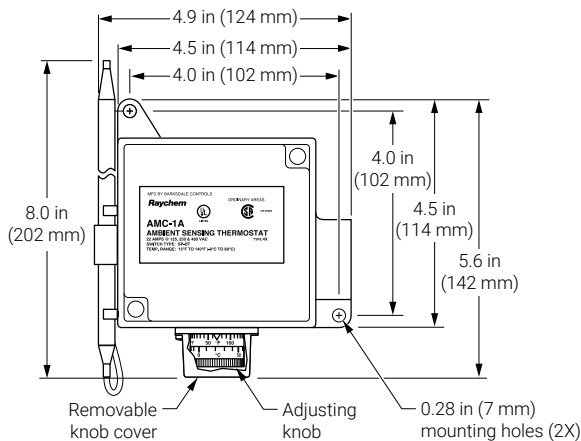
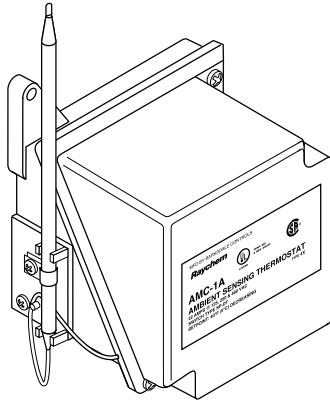


AMBIENT-SENSING THERMOSTAT FOR NONHAZARDOUS LOCATIONS



PRODUCT OVERVIEW

The nVent RAYCHEM AMC-1A ambient-sensing thermostat is designed to control heat-tracing systems used for freeze protection in nonhazardous locations. The thermostat responds to ambient temperature changes and has an adjustable set point. The AMC-1A can be used to control a single heat-tracing circuit or as a pilot control of a contactor switching multiple heat-tracing circuits.

SPECIFICATIONS

Enclosure	TYPE 4X, polyurethane-coated cast-aluminum housing, stainless-steel hardware
Entries	One 3/4-in (19 mm) NPT conduit hub
Set point range	15°F to 140°F (-9°C to 60°C)
Sensor exposure limits	-40°F to 160°F (-40°C to 71°C)
Housing exposure limits	-40°F to 160°F (-40°C to 71°C)
Switch	SPDT
Electrical rating	22 A at 125 / 250 / 480 Vac
Accuracy	±6°F (±3.3°C)
Deadband	2°F to 12°F (1.1°C to 6.7°C) above actuation temperature
Set point repeatability	±3°F (±1.7°C)
Sensor type	Fixed fluid-filled (silicone) bulb and capillary
Sensor material	300 series stainless steel
Connection terminals	Screw terminals, 10–14 AWG (2–5 mm ²)

APPROVALS



North America

Tel +1.800.545.6258

Fax +1.800.527.5703

info@nvent.com



[nVent.com](https://www.nvent.com)

Our powerful portfolio of brands:

CADDY ERICO HOFFMAN RAYCHEM SCHROFF TRACER