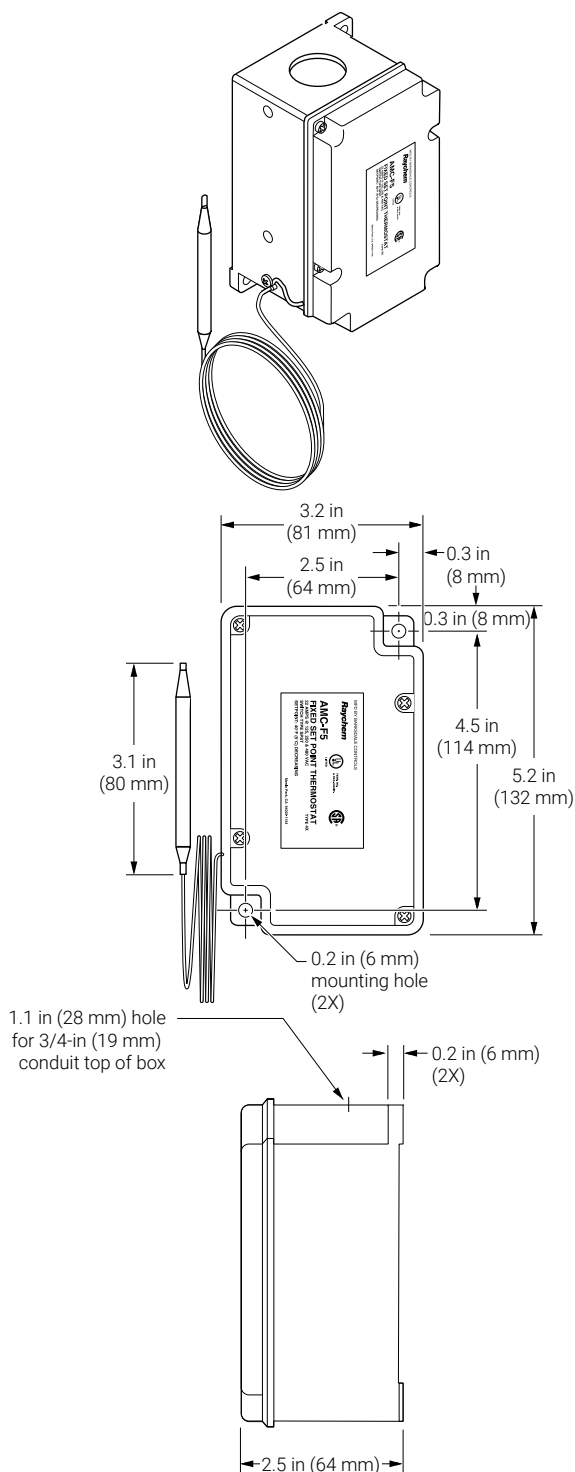


## FIXED SET POINT FREEZE PROTECTION THERMOSTAT FOR NONHAZARDOUS LOCATIONS



### PRODUCT OVERVIEW

The nVent RAYCHEM AMC-F5 thermostat is designed to control heat-tracing systems used for freeze protection in nonhazardous locations. The thermostat has a fixed set point of 40°F (5°C) and can be used for ambient-sensing or line-sensing. It can be used to control a single heat-tracing circuit or as a pilot control of a contactor switching multiple heat-tracing circuits.

### SPECIFICATIONS

Enclosure	TYPE 4X, UV-resistant thermoplastics
Entries	One 3/4-in (19 mm) through hole
Set point	40°F (5°C) nonadjustable
Sensor exposure limits	-30°F to 140°F (-34°C to 60°C)
Housing exposure limits	-30°F to 140°F (-34°C to 60°C)
Switch	SPST
Electrical rating	22 A at 125 / 250 / 480 Vac
Accuracy	±3°F (±1.7°C)
Deadband	2°F to 12°F (1.1°C to 6.7°C) above actuation temperature
Set point repeatability	±3°F (±1.7°C)
Sensor type	Fluid-filled (silicone) bulb and 2.5 ft (0.8 m) capillary
Sensor material	Tin-plated copper
Connection	Two 14 AWG (2 mm <sup>2</sup> ) pigtails One ground screw

### APPROVALS



**North America**

Tel +1.800.545.6258

Fax +1.800.527.5703

info@nvent.com



[nVent.com](https://www.nvent.com)

Our powerful portfolio of brands:

**CADDY ERICO HOFFMAN RAYCHEM SCHROFF TRACER**