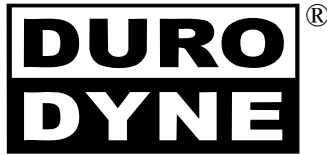


**SUBMITTAL RECORD**

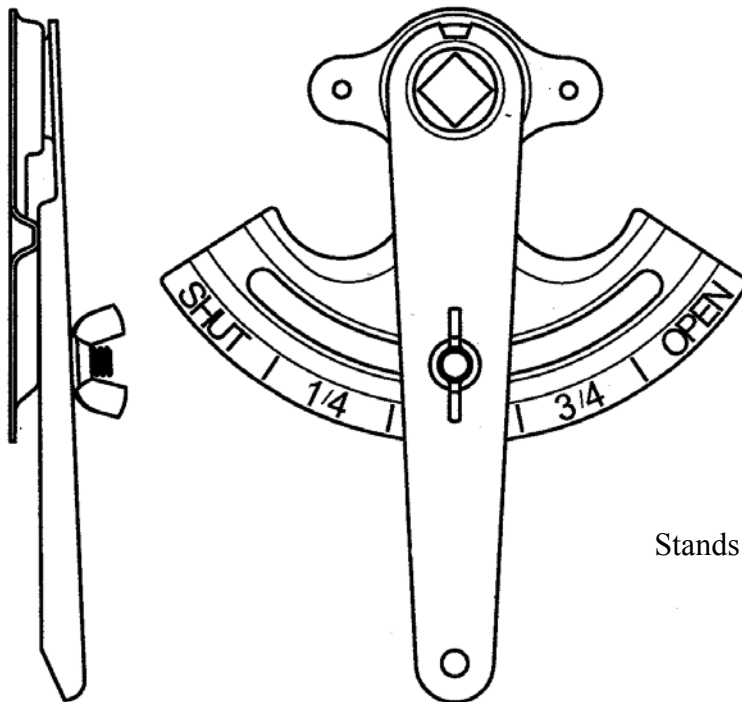
JOB \_\_\_\_\_  
 LOCATION \_\_\_\_\_  
 SUBMITTED TO \_\_\_\_\_  
 SUBMITTAL PREPARED BY \_\_\_\_\_  
 APPROVED BY \_\_\_\_\_  
 DATE \_\_\_\_\_



**Submittal Form  
 KS - Quadline 1/2"  
 Quadrant Sets**

**1/2" QUADRANT SETS (FOR DAMPERS UP TO 30")**

These heavy gauge plated steel quadrants are designed with excellent handle action, as well as quick wing nut adjustment and locking of the damper. The frame is marked to show the exact position of the damper. For use on square or round ducts.



Stands Off Duct 1-1/8"

1/2" QUADRANT SETS			
ITEM#	MODEL	SET CONSISTS OF:	QUANTITY
8052	KS12	K-5 quadrant; KP-10R round end bearing; KP-10S square end bearing	1 Set Per Ctn
8060	K5	1/2" quadrant only	100 Per Ctn

