

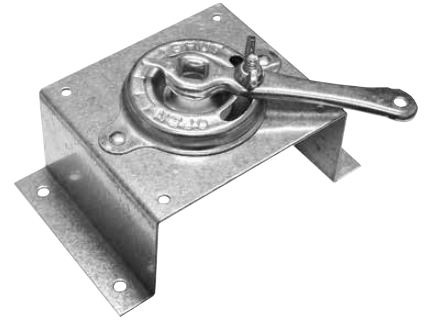
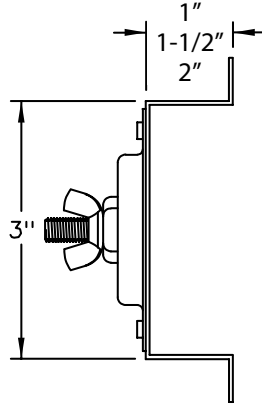
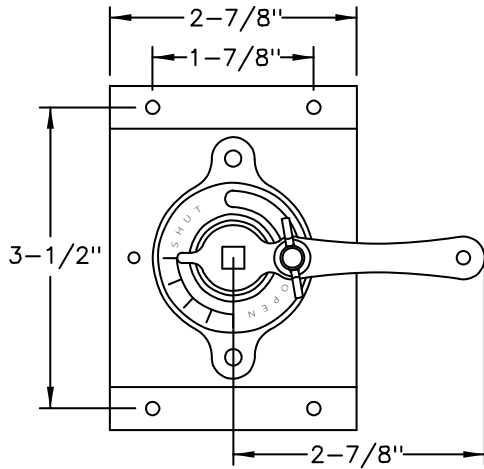
SUBMITTAL RECORD

JOB _____
 LOCATION _____
 SUBMITTED TO _____
 SUBMITTAL PREPARED BY _____
 APPROVED BY _____
 DATE _____



Submittal Form
K2/K2R - Standoff with
1/4" Dial Regulator

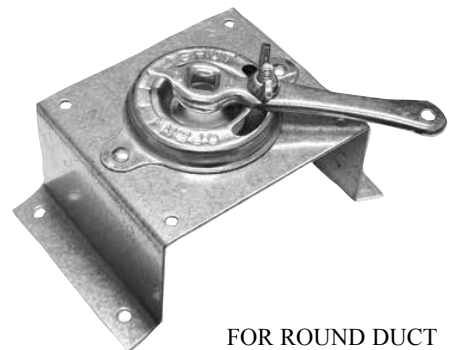
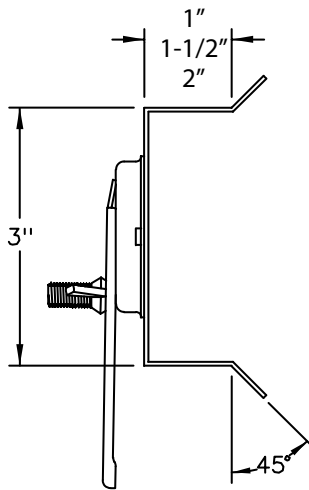
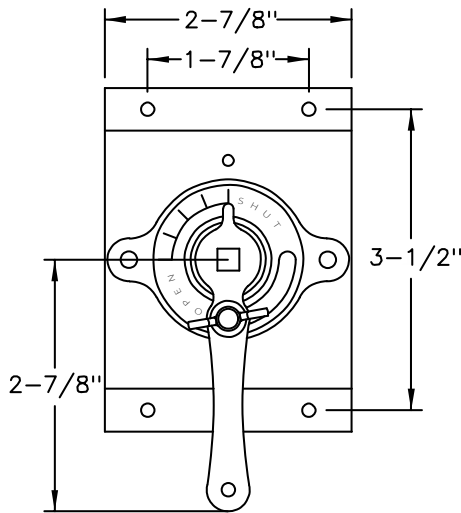
STANDOFF WITH 1/4" DIAL REGULATOR (FOR DAMPERS UP TO 10") - SQUARE



FOR SQUARE DUCT

K2 SERIES FOR SQUARE DUCT				
ITEM#	CODE	SHAFT SIZE	STAND HEIGHT	QUANTITY
7364	K2-1	1/4" sq.	1"	10 Per Ctn
7365	K2-150	1/4" sq.	1-1/2"	10 Per Ctn
7366	K2-2	1/4" sq.	2"	10 Per Ctn

STANDOFF WITH 1/4" DIAL REGULATOR (FOR DAMPERS UP TO 10") - ROUND



FOR ROUND DUCT

K2 SERIES FOR ROUND DUCT				
ITEM#	CODE	SHAFT SIZE	STAND HEIGHT	QUANTITY
7362	K2-1R	1/4" sq.	1"	10 Per Ctn
8197	K2-150R	1/4" sq.	1-1/2"	10 Per Ctn
7363	K2-2R	1/4" sq.	2"	10 Per Ctn

Duro Dyne Corporate Headquarters, Bay Shore, NY
 631-249-9000 • Fax: 631-249-8346

Duro Dyne Midwest • Duro Dyne West • Duro Dyne Canada
 www.durodyne.com • E-mail: durodyne@durodyne.com



©2015 Duro Dyne Corporation
 Printed in USA 6/15
 BO008425