

SUBMITTAL RECORD \_\_\_\_\_  
 JOB \_\_\_\_\_  
 LOCATION \_\_\_\_\_  
 SUBMITTED TO \_\_\_\_\_  
 SUBMITTAL PREPARED BY \_\_\_\_\_  
 APPROVED BY \_\_\_\_\_  
 DATE \_\_\_\_\_



# Submittal Form NCSAD - Self Stick Insulated Access Doors Cam Only

## DESCRIPTION

Periodic inspection and testing of fire and smoke dampers and detectors in ductwork is a standard safety procedure. Easy access to these devices as well as providing a means of removing dust accumulation can be provided by the installation of hinged or removable access doors. These doors incorporate an integral self stick frame which readily fastens to the duct work as well as a camlock latching system for easy entry.

## RELATED NFPA 90A & 90B STANDARDS

### 2-1.4 Duct Access and Inspection Provisions.

**2-1.4.1** A service opening or telescoping or removable duct section shall be provided in ducts adjacent to each fire door, fire damper, smoke damper and smoke detector. The opening shall be large enough to permit maintenance and resetting of the device.

**2-1.4.1** Service openings, telescoping or removable duct sections shall be identified with letters no less than 1/2 in. (1.27 cm) in height to indicate the location of the fire protection device(s) within.

**2-1.4.3** Horizontal ducts and plenums shall be provided with service openings (see 2-1.4.1) to facilitate cleaning the duct of accumulations of dust and combustible materials. Service openings shall be placed at approximately 20 ft. (6.1-m) intervals along the duct and at the base of each vertical riser.

**Exception No. 1:** Removable air outlet or air inlet devices of adequate size may be accepted in lieu of service openings.

**Exception No. 2:** Service openings may be omitted in supply ducts when the supply air has previously passed through air filters or water spray.

**Exception No. 3:** Service openings are not required when all the following conditions prevail:

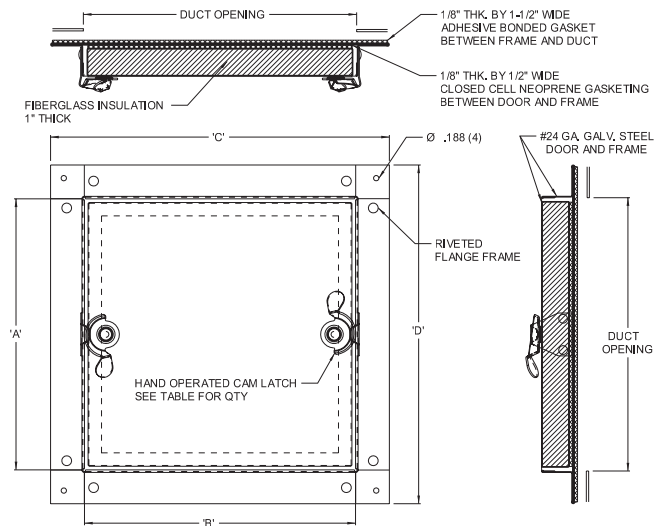
(a) The occupancy does not produce combustible material such as dust, lint, greasy vapors, etc. Such occupancies include banks, office buildings, churches, hotels, and health care facilities (but not kitchens, service rooms, and manufacturing portions of such facilities).

(b) The air inlets are at least 7 ft. (2.13m) above the floor or are protected by corrosion-resistant metal screens of at least 14 mes, installed at the inlets so that they will not draw papers, refuse, cigarettes or other combustible solids into the return air duct.

(c) The minimum design velocity in the return duct from the particular occupancy is 1,000 ft/min. (508m/sec.).

## SUGGESTED SPECIFICATIONS

Service openings shall be provided in ducts adjacent to each fire door, fire damper, smoke damper, and smoke detector. Horizontal ducts and plenums shall be provided with service openings to facilitate cleaning the duct of accumulations of dust and combustible materials. Service openings shall be placed at approximately 20 foot intervals along the duct and at the base of each vertical riser. Service openings shall be sized \_\_\_\_\_ x \_\_\_\_\_ and shall incorporate access doors coded \_\_\_\_\_ as manufactured by Duro Dyne Corporation.



## CONSTRUCTION

- Door Frame:** 24 ga. galvanized steel. Conforms to ASTM A 653.
- Door Face:** 24 ga. galvanized steel. Conforms to ASTM A 653.
- Insulation:** Fiberglass blanket. Closed cell foam liner optional.
- Door Seal:** Neoprene blend. Temperature range -40 to 200 F
- Frame Seal:** Polyethylene foam Temperature range -40 F to 180 F.
- Latches (Cam Only Doors):** Two Cams and latches on all cam only doors 12" and under. Four Cams and latches on larger cam only sizes. Heavy duty Zinc plated cams and strikes.

Access doors were pressure tested to 10" SP with minimal leakage, in accordance with method AMCA 500 D-07.

Item #	Code	Size
7056	NCSAD6x6	6x6
7057	NCSAD8x8	8x8
7058	NCSAD10x10	10x10
7059	NCSAD12x12	12x12
7060	NCSAD14x14	14x14
7061	NCSAD16x16	16x16
7062	NCSAD18x12	18x12
7063	NCSAD18x18	18x18
7064	NCSAD20x20	20x20
7065	NCSAD24x24	24x24

Duro Dyne Corporate Headquarters, Bay Shore, NY  
 631-249-9000 • Fax: 631-249-8346

Duro Dyne Midwest • Duro Dyne West • Duro Dyne Canada  
 www.durodyne.com • E-mail: durodyne@durodyne.com

©2021 DURO DYNE CORP.  
 Printed in the USA 8/10/2021  
 BO008420

