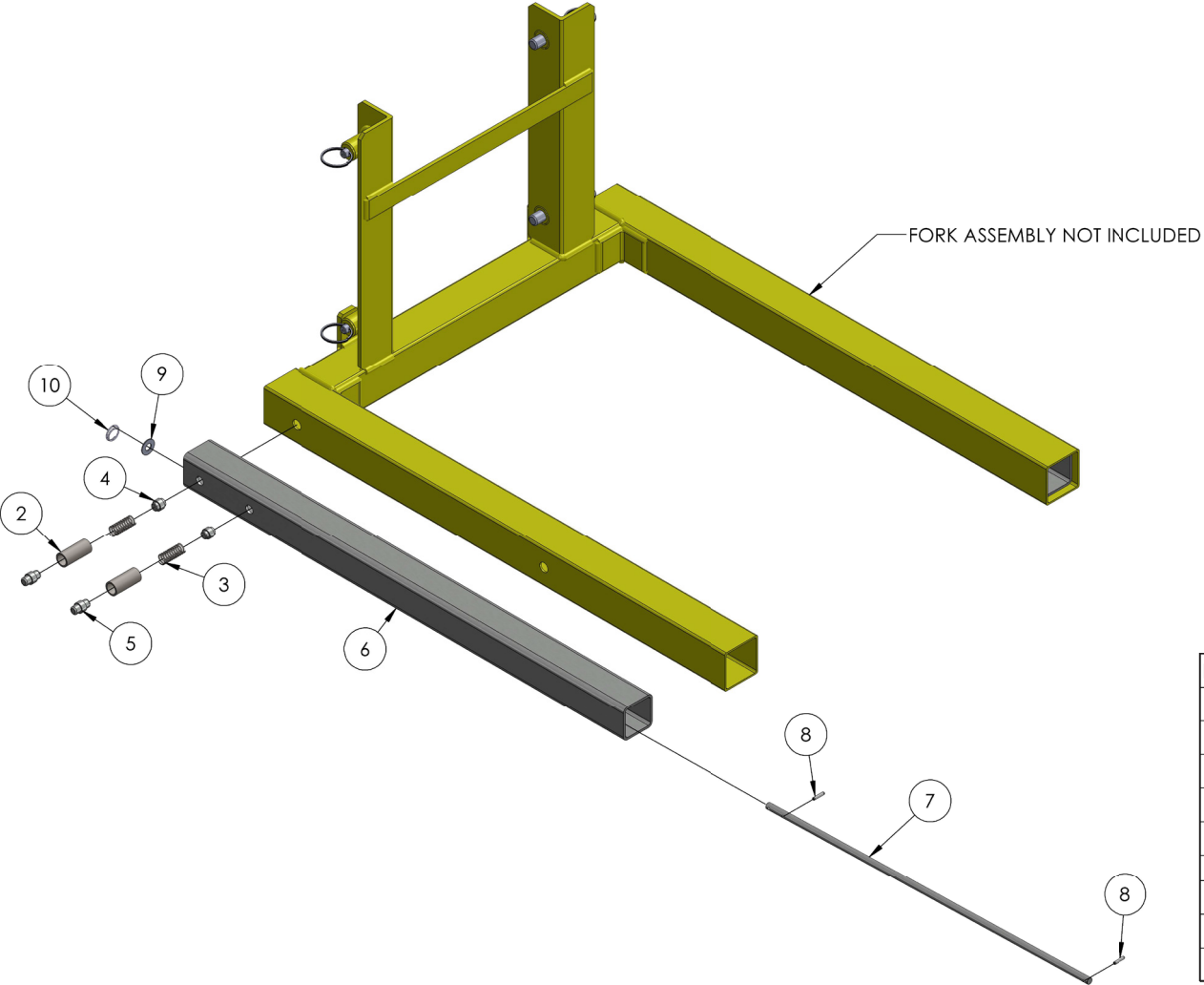


FORK EXTENSION INSTALL KIT ASSEMBLY



| ITEM NO. | PART NUMBER | DESCRIPTION | QTY. |
|----------|-------------|-------------------------------------|------|
| 2 | 774035 | SPACER, BUTTITE 1/2 X 1.453" | 4 |
| 3 | 776212 | SPRING, #DWC - 042 - G - 9 | 4 |
| 4 | 783508 | PIN LOCATOR | 4 |
| 5 | 783509 | PIN DETENT | 4 |
| 6 | 783588 | FORK EXTENSION WELDMENT | 2 |
| 7 | 783789 | FORK EXTENSION LIMIT ROD, 2000/2100 | 2 |
| 8 | 774092 | PIN, ROLL 1/8 X 6.25 | 4 |
| 9 | 773042 | WASHER, FLAT 5/16 | 2 |
| 10 | 774053 | COTTER, CIRCLE Z/P 0.048 X 0.75 | 2 |