

SUBMITTAL RECORD _____
 JOB _____
 LOCATION _____
 SUBMITTED TO _____
 SUBMITTAL PREPARED BY _____
 APPROVED BY _____
 DATE _____



Submittal Form

Beam Clamps

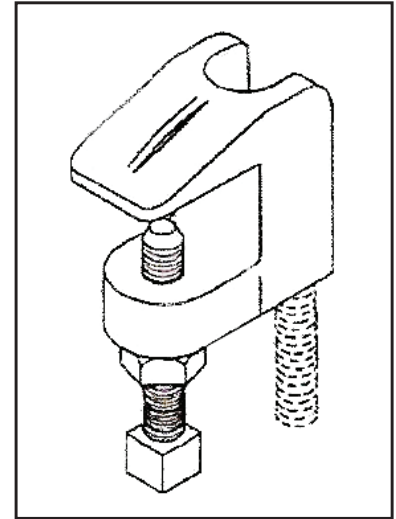
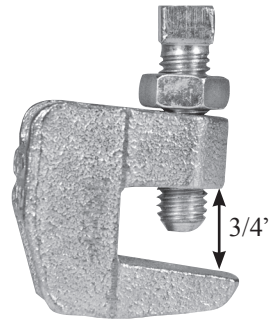
DESCRIPTION

The Beam Clamp is a structural attachment to the top or bottom of metal I-beams, purlins, channel, or angle iron.

SMALL MOUTH BEAM CLAMP

FEATURES

- Malleable iron
- Hardened steel cup point set screw & locking nut
- Complies with:
 - Cast Clamps: Federal Specification A-A-1192A (Type 19) and Manufacturers' Standardization Society ANSI/SP-69 and SP58 (Type 19)
- Maximum Load Limits:
 - Small mouth 3/8 in: 400lbs
 - Small mouth 1/2 in: 500lbs
- Designed to provide attachment of various hanger rods to structural members without drilling or welding
- UL Listed and FM approved.

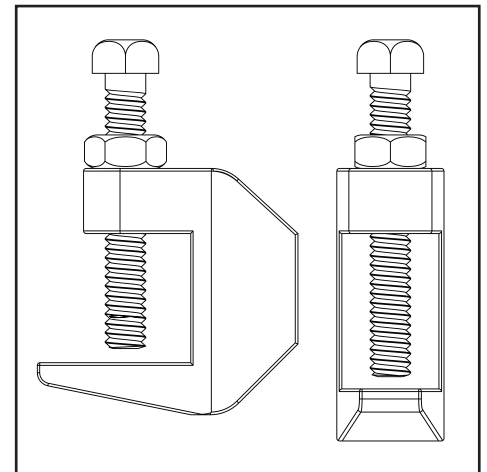
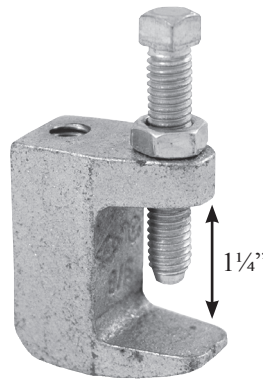


ITEM#	CODE	DESCRIPTION
13179	BCSN38	3/8in Plated Small Mouth Beam Clamp w/ Lock Nut
13180	BCSN12	1/2in Plated Small Mouth Beam Clamp w/ Lock Nut

LARGE MOUTH BEAM CLAMP

FEATURES

- Malleable iron
- Hardened steel cup point set screw & locking nut
- Complies with:
 - Cast Clamps: Federal Specification A-A-1192A (Type 19) and Manufacturers' Standardization Society ANSI/SP-69 and SP58 (Type 19)
- Maximum Load Limits:
 - Large mouth 3/8 in: 400lbs
- Designed to provide attachment of various hanger rods to structural members without drilling or welding
- UL Listed and FM approved.



ITEM#	CODE	DESCRIPTION
13177	BCNL38	3/8in Plated Large Mouth Beam Clamp w/ Lock Nut



SUBMITTAL RECORD _____
 JOB _____
 LOCATION _____
 SUBMITTED TO _____
 SUBMITTAL PREPARED BY _____
 APPROVED BY _____
 DATE _____



Submittal Form Beam Clamps

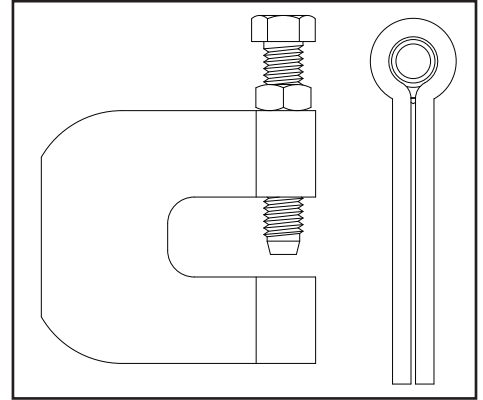
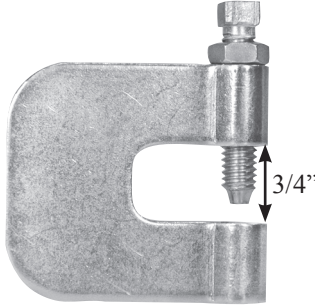
DESCRIPTION

The Beam Clamp is a structural attachment to the top or bottom of metal I-beams, purlins, channel, or angle iron.

C-CLAMP BEAM CLAMP

FEATURES

- Carbon steel with hardened steel cup point set screw
- Complies with:
 - Stamped Clamps: Federal Specification A-A-1192A (Type 23) ANSI/SP-69 AND SP-58 (TYPE 23)
- Maximum Load Limits:
 - Steel C clamp 3/8 in: 400lbs
- Designed for attaching hanger rod to the bottom of a beam.
 - The hanger rod should make contact with the beam flange to ensure full engagement.
- UL Listed and FM approved



ITEM#	CODE	DESCRIPTION
13184	CCN38	3/8in Plated C-Clamp w/ Lock Nut

