

## Assembly Instructions:

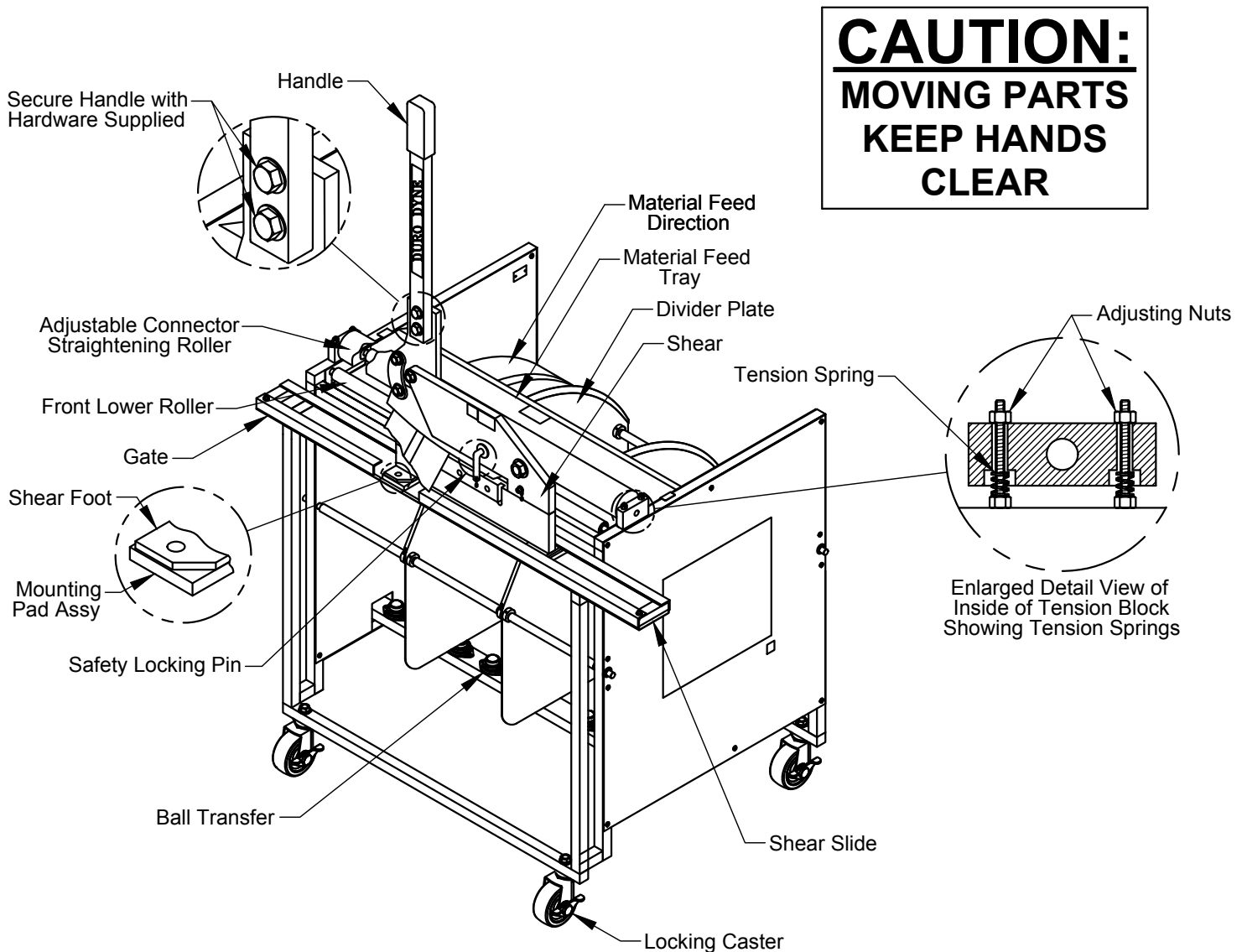
1)- Secure the Handle with the Hardware (secured to Shear) supplied. Ensure the Hardware is tight.

~DO NOT REMOVE THE SAFETY LOCKING PIN UNTIL SHEAR IS READY TO BE USED~

## Instructions for use:

- 1)- To install the rolls of Connector into the Dispenser, rotate the Material Feed Tray up and place 1-3 rolls as required.
- 2)- The Tension Springs are pre-set, but if more or less tension is required, loosen or tighten the Adjusting Nuts as desired.
- 3)- Insert the Connector End between the Lower Rollers and the Adjustable Connector Straightening Roller and push it through to the Shear. Pull as much as needed. Remove the Safety Locking Pin and pull the Handle down to cut.

~WHEN SHEAR IS NOT IN USE, ALWAYS INSERT THE LOCKING PIN SECURELY~



Please contact our Technical Service Department with any questions at - Ph: 631-249-9000 / Fax: 631-249-8346

**THE GREATEST NAME IN SHEET METAL NECESSITIES**