

**MODEL RH  
PINSPOTTER**  
**ROLLING HEAD  
ITEM #27182**

**RH MACH 70**  
**PLATINUM EDITION**

The RH Mach 70 Pinspotter features a more efficient transformer that provides a wider range of welding capabilities. The Heavy Duty Vibrator Bowl and base weld pins up to 2", and the optional manual feed accommodates pins up to 4" on 4" insulation. A floating upper weld tip and an optional lift kit are among some of the improvements to this Pinspotter. The RH Mach 70 also features a notch on the support bar to easily accommodate TDC/TDF duct. The ability to move the trolley instead of the ductwork minimizes material handling. An auxiliary gun & ground cable box has been added to offer the ability to convert this machine to a handheld pinspotter (10ft gun & ground cable sold separately).



Easy manual loading/unloading feature for 3" & 4" weld pins

New heavy duty vibrator base & bowl for automatic feeding of up to 2" pins

Airless vibrator sensor reduces noise and prevents wasted air usage

Redesigned more efficient single transformer for a wider range of welding capabilities

Floating upper weld tip assembly for weld cable and weld tip longevity

LED light bar

TDC/TDF Notch

Wider mouth design for welding up to 4" duct liner with 4" weld pins

Silicone weld cable for better grounding and durability.

Auxilliary gun & ground cable box for handheld pinspotting capability (gun & ground cable sold separately)

An optional machinery lift kit is also available for a custom ergonomic work space.

Optional Foot Pedal

For best performance,  
use genuine Duro Dyne insulation fasteners

MACHINERY DIVISION  
6/29/2022  
BC018406



**RIB PINS**



**SLOPE PINS**



**TARGET PINS**



**ECONO-POINT PINS**



**GOLD SEAL PINS**



**CWFTC PINS**



## FEATURES

### TROUBLE-FREE MOVEMENT

Precision polished and hardened tracks combined with ground bearings, assure trouble-free movement of the trolley assembly.

### SOLID-STATE COMPONENTS

Components proven under rigorous shop usage, control the pneumatic and weld circuitry. Few adjustments are required.

### CONVENIENTLY LOCATED CONTROLS

One knob adjustment sets the weld and dwell times for perfect welds every time.

### ELECTRONIC FEED TRACK SENSOR

An electronic sensor controls the vibrator to assure a full feed track of pins when ready for welding. Reloading is as easy as positioning the trolley assembly at the front of the machine.

### MULTI-TAP TRANSFORMER

The new multi-tap transformer allows for 8 different power settings to accommodate a wider range of welding capabilities more efficiently.

### 18 GAUGE CAPACITY

With a custom designed high powered transformer, the RH will weld up to 4" pins to 18 gauge effortlessly.

### PNEUMATIC BRAKE

A pneumatic brake cylinder locks the rolling assembly in position during weld cycle to ensure a quality weld.

### PROTECTIVE HARNESS

A specially designed flexible harness protects the air line and weld cable from incidental damage and assures fatigue-free movement.

### FIXED HEAD FOOT PETAL WELDING

To convert the RH for fittings, draw the welding tip to open end of frame and slide the quick release pin into position locking the weld tip over the fittings mandrill.

### FOOTSWITCH

The footswitch frees the operator for handling of small fittings and odd shapes. It features a protective covering to minimize the accidental actuation of the machine. 16 foot cable length.



### BALL TRANSFER (OPTIONAL)

Roller feed tables with ball transfers adjoining the RH enable work to be easily positioned by the operator; in many cases with just one hand. Productivity is increased and worker fatigue minimized.

Ball Transfers  
DD Item #27025  
Code: BT100



### GUN & GROUND CABLE (OPTIONAL)

10ft gun & 10 ft ground cable convert this bulk feed pnspotter to be utilized for handheld pinspotting.

Item # 17281  
10ft Hand Gun & Ground Cable Set



## SPECIFICATIONS

### ELECTRICAL:

Input voltage: 230V, 60 Hz single phase, 60 amp service.

### AIR REQUIREMENTS:

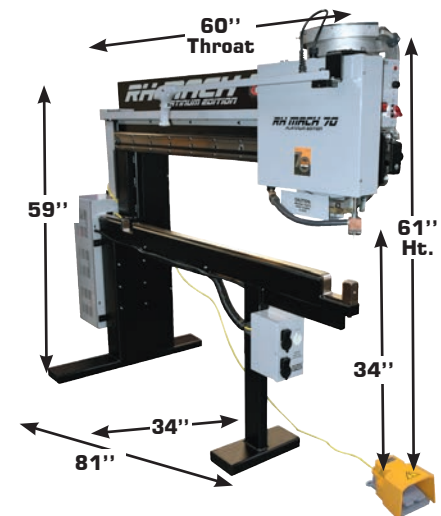
Input pressure of 80 psi.

### THROAT SIZE:

A 60" throat allows fasteners to be placed up to 1.5" from each edge of a 5' sheet without repositioning.

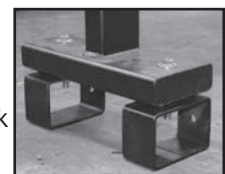
### RIB PIN CAPACITY:

The vibrator bowl holds approximately 1,000, 1 inch fasteners. Fasteners of .5" to 2" in length may be fed automatically.



### LIFT KIT (OPTIONAL)

Lift kit is also available for a custom ergonomic work space.



Item # 17135  
FG/RH Multi-Height Pinspotter Lift Kit.

Will allow for height increase of 4" or 6".

**Note: For best performance, use genuine Duro Dyne insulation fasteners**

Duro Dyne East Division, Bay Shore, NY

631-249-9000

Fax: 631-249-8346

Duro Dyne Midwest Division, Hamilton, OH

513-870-6000

Fax: 513-870-6005

Duro Dyne West Division, Longmont, CO

562-926-1774

Fax: 562-926-5778

Duro Dyne Canada, Lachine, Quebec, Canada

514-422-9760

Fax: 514-636-0328

www.durodyne.com E-mail: durodyne@durodyne.com