

Press-On Inner Rings

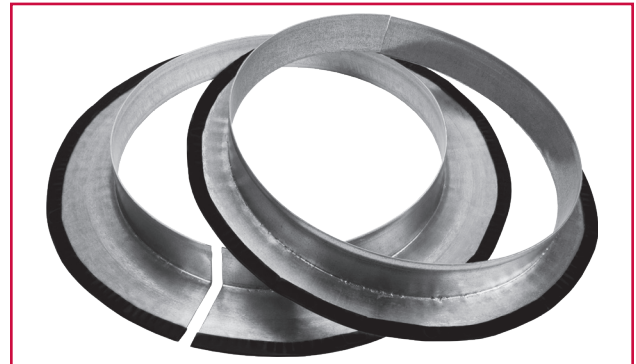
Revolutionary Design For Quick, Hassle-Free Installation

DESCRIPTION

The Press-On Inner Ring was specifically designed to significantly reduce installation time and labor cost. This system uses a double-sided pressure sensitive adhesive to bond the outer flange and inner ring without the need for costly welding. There are also no issues with aligning the rings to fit around the insulation and inner diameter of the duct because the outer flange and Press-On Inner Ring are installed on the ductwork separately.

BASIC USE

Designed to protect insulation installed inside spiral duct from damage and prevent fibers from breaking away into the airstream. Installs with an easy to use peel and stick press-on gasket that quickly secures the cut edges of insulation to the duct wall.

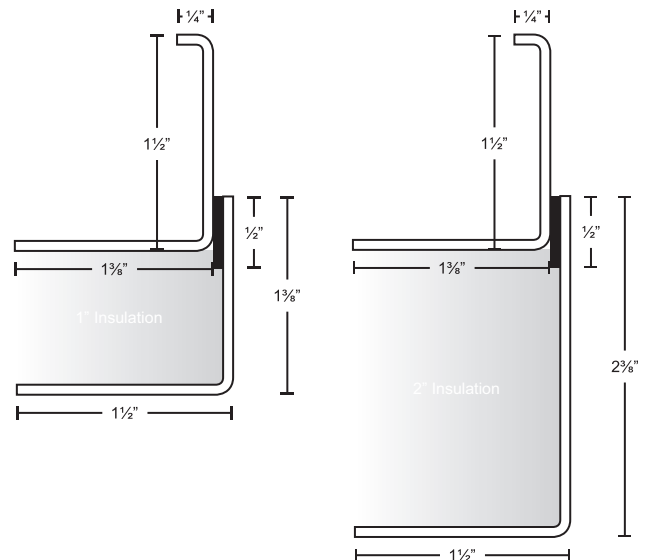


SPECIAL CHARACTERISTICS

- Double Sided high strength PSA tape to adhere
- Simplifies installation of double wall duct
- Available in 1" and 2" rings
- Inner-ring adjusts to fit the variations in pipe diameter
- Tested to withstand 10" W.G. positive pressure
- Eliminates welding or fasteners
- Can be installed on-site

INSTALLATION INSTRUCTIONS

1. Remove backing from adhesive gasket and starting with the split in the Inner Ring apply on the opposite side of the Spiralmate flange split.
2. Working in one direction around the Inner Ring, apply pressure to the areas where the adhesive gasket makes contact with the flange face to attach.



PACKAGING

The Press-On Inner Rings are sold as single rings.

ORDERING INFORMATION

Part Number Example:
IIR*30GAPSA

Insulation Thickness	Product Type	Size of Inner Diameter		Alloy	Adhesive
1 = 1" 2 = 2"	IR = Inner Ring	†8 = 8"	40 = 40"	GA = Galvanized GN = Galvannealed AL = Aluminum AZ = Aluminized S4 = 304 Stainless Steel S6 = 316 Stainless Steel 1" Only PVC = PVC Coated	PSA = Pressure Sensitive Adhesive
		†10 = 10"	42 = 42"		
		12 = 12"	50 = 50"		
		14 = 14"	52 = 52"		
		16 = 16"	54 = 54"		
		18 = 18"	56 = 56"		
		20 = 20"	58 = 58"		
		22 = 22"	60 = 60"		
		24 = 24"	62 = 62"		
		26 = 26"	64 = 64"		
		28 = 28"	66 = 66"		
		30 = 30"	68 = 68"		
		32 = 32"	70 = 70"		
		34 = 34"	72 = 72"		
		36 = 36"			
		38 = 38"			

† Only available for 1" insulation

*Insert W for a welded split