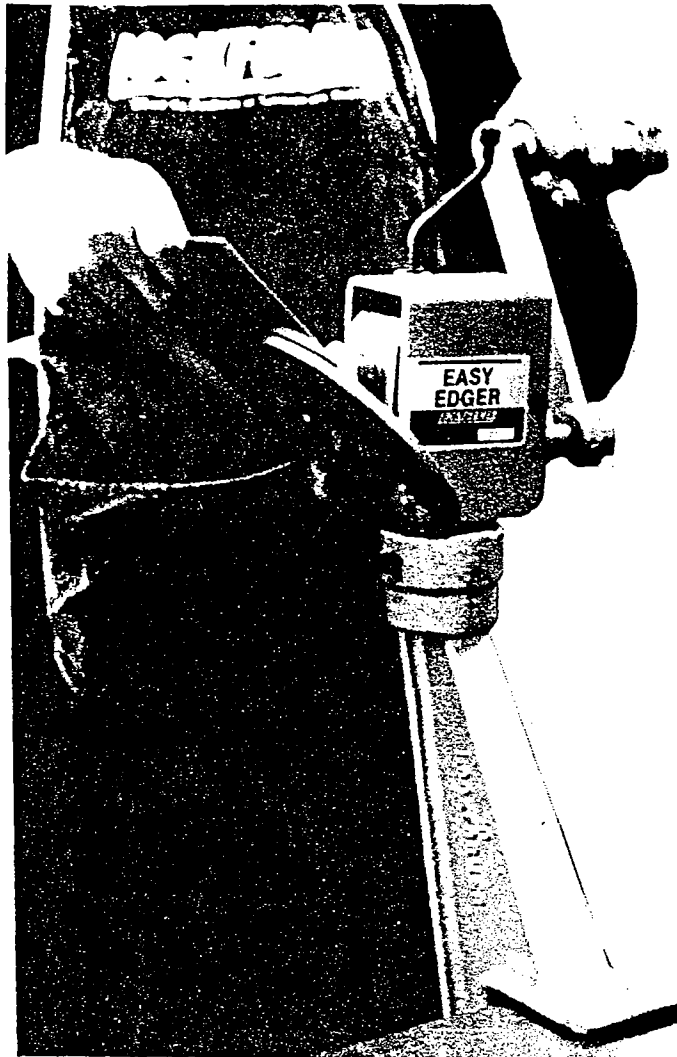


LOCKFORMER®

EASY - EDGER

INSTRUCTIONS and PARTS DIAGRAMS



EASY EDGER INSTRUCTIONS

Turn crank screw all the way down, then release approximately $\frac{1}{4}$ of a turn. Place edge of material in groove. Turn handle and push, then adjust crank screw just tight enough to draw material and leave square corner. On exceptionally small curves, edge might wrinkle; when this occurs, run thru a second time.

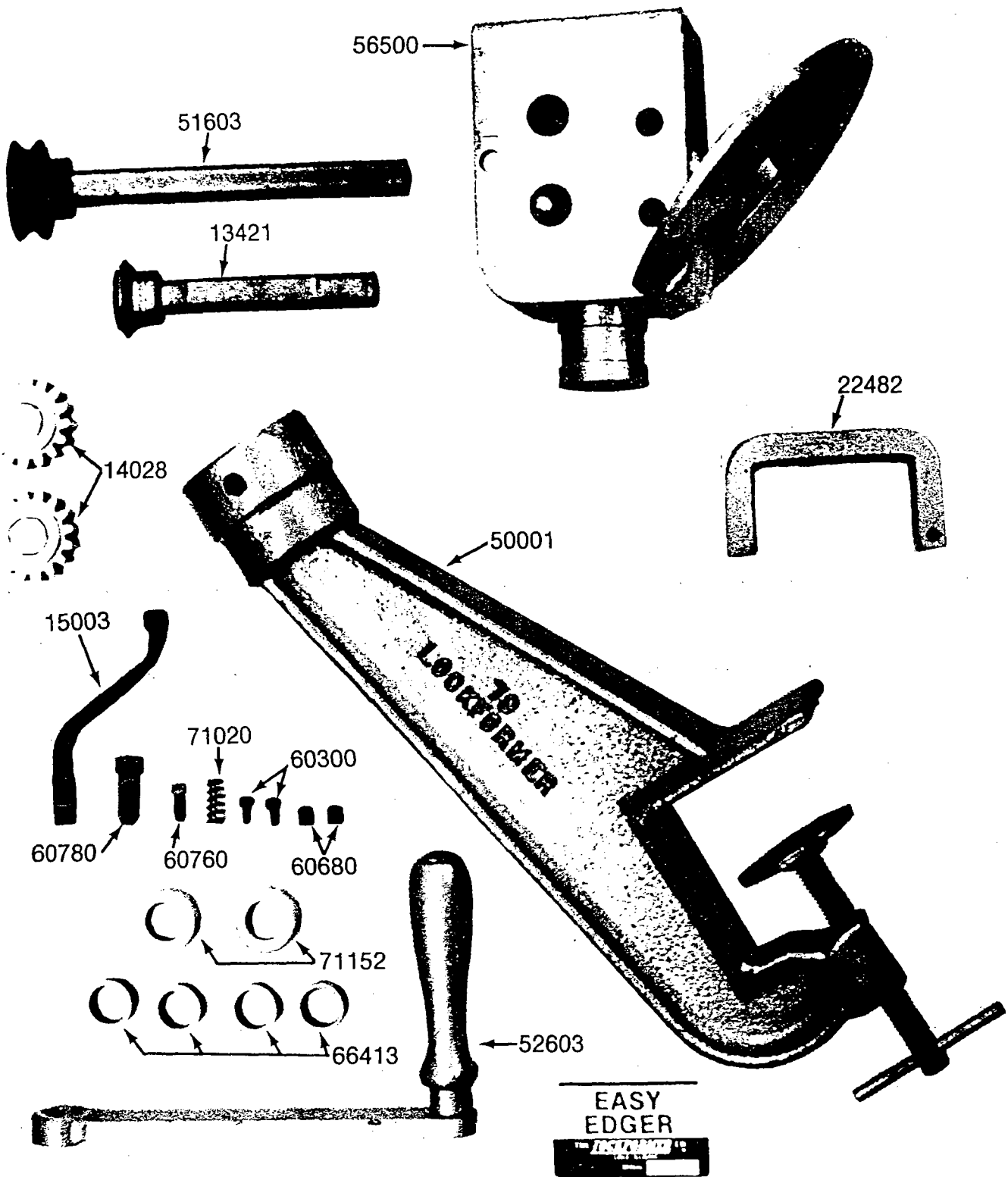
CAUTION — Edge of material must seat against groove in lower forming roll to obtain satisfactory height and formed flange. Irregular height or heavy wrinkle flange can be caused by improper pressure.

THE LOCKFORMER COMPANY

711 W. OGDEN AVENUE



LISLE, ILLINOIS 60532



EASY EDGER PARTS LIST

PART NUMBER	DESCRIPTION	PIECES PER UNIT	PART NUMBER	DESCRIPTION	PIECES PER UNIT
60780	Square Head Set Screw	1	13421	Top Roll Shaft Assembly	1
50001	Easy Edger Stand Assembly	1	51603	Bottom Roll Shaft Assembly	1
56500	Housing Cover Assembly	1	71020	Compression Spring	1
22482	Top Bearing Bracket	1	52603	Crank Arm Assembly	1
14028	16 Tooth Gear	2	60760	Square Head Cap Screw	1
60300	Socket Head Cap Screw	2	66413	Bushing (Bronze)	4
15003	Adjusting Handle	1	71152	Collar (Shaft)	2
60680	Set Screw	2	85154	Name Plate	1
			60795	Drive Screws	4