

SF1 Series Submittal

Single Deflection 3/4" Blade Spacing Direct Curved
Spiral Duct Mounted Grille

Revised 06/12/2019

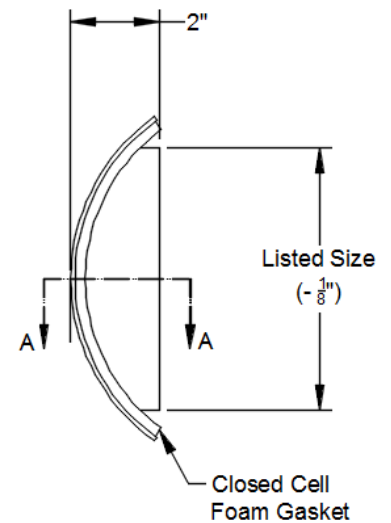
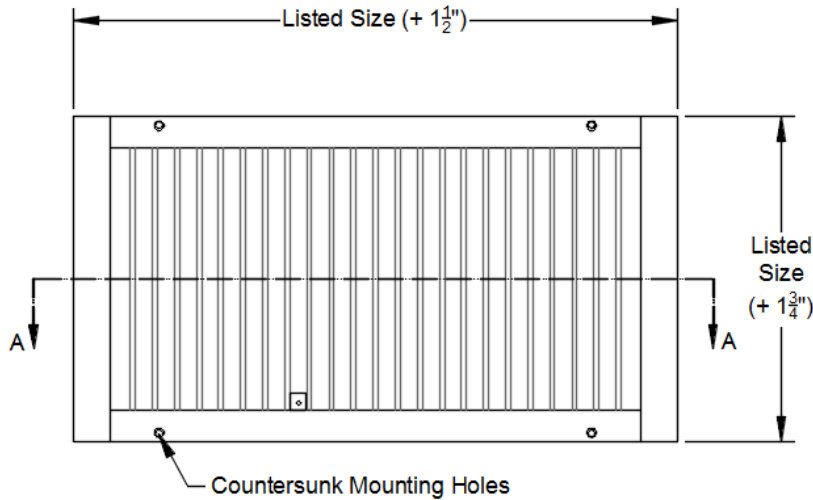
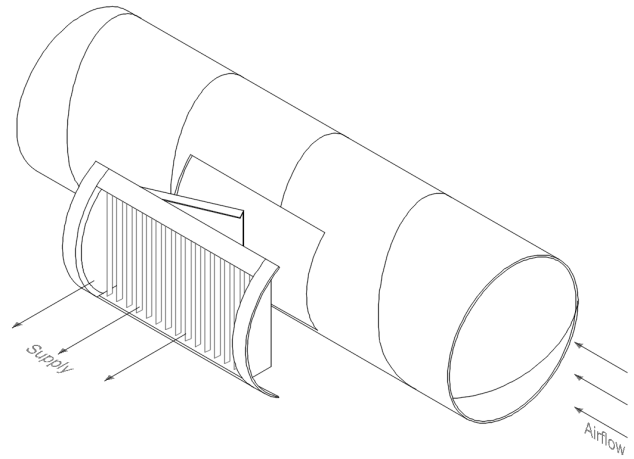
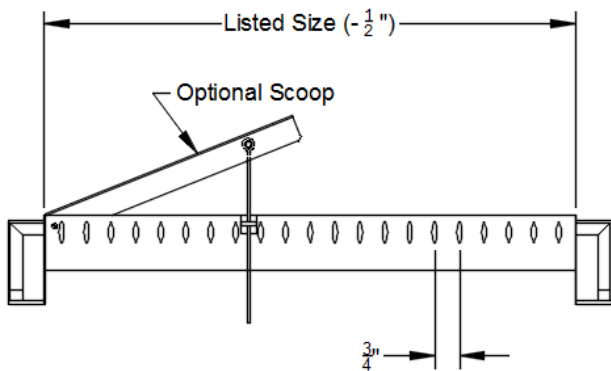
Model: _____ Size: _____ Tag: _____

Project Name: _____

Project Location: _____

Engineer: _____ Contractor: _____

Distributor: _____ Representative: _____



Features:

- Extrude Aluminum Construction
- Individually Adjustable Blades
- Airfoil Blades

Construction Options:

- Optional Air Scoop

Finish Options:

- Pristine White Powder Coat Finish
- Anodized Aluminum Finish

Note: This submittal is meant to demonstrate the general dimensions of this product. The illustrations are not meant to detail every aspect of the product. Drawings are not to scale. T.A. Industries, Inc. reserves the right to make changes without notice or obligations.

TA Industries, Inc. 11130 Bloomfield Ave.
Santa Fe Springs

Tel. 888-TRUAIRE
Fax 562-466-1010

truair.com
mytruairhome.com